

# MOLDED CASE CIRCUIT BREAKERS (MCCB)

from

# \$162

UL489

600VAC




Formerly LG Industrial Systems




File: E231289

## Four Compact Frame Sizes

Susol TD and TS circuit breakers come in 4 compact frame sizes and are rated from 15 through 800 amperes.

### Features

- UL489 Listed MCCB for Branch Circuit Protection
- Breaking capacity choices:  
Standard, 35kA @ 480V  
High, 65kA @ 480V
- Optimal overload protection
- 600VAC maximum rated operational voltage

### Accessories

- Internal electrical auxiliaries (auxiliaries, alarms)
- Through-the-door rotary disconnect handles
- Flange-mount disconnect handles
- Locking devices

#### TD125

15-125A



#### TS250

150-250A



#### TS400

300-400A



#### TS800

500-800A



Rated Amps	Std. Breaking Capacity Part Number	Price	High Breaking Capacity Part Number	Price	Trip Unit	Terminals
<b>125 Amp Frame</b>						
15	TD125NU-FTU-LL-15	\$162	TD125HU-FTU-LL-15	\$239	Fixed thermal/ Fixed magnetic	Line-side/ Load-side Lugs
20	TD125NU-FTU-LL-20	\$162	TD125HU-FTU-LL-20	\$239		
30	TD125NU-FTU-LL-30	\$162	TD125HU-FTU-LL-30	\$239		
40	TD125NU-FTU-LL-40	\$162	TD125HU-FTU-LL-40	\$239		
50	TD125NU-FTU-LL-50	\$162	TD125HU-FTU-LL-50	\$239		
60	TD125NU-FTU-LL-60	\$162	TD125HU-FTU-LL-60	\$239		
80	TD125NU-FTU-LL-80	\$162	TD125HU-FTU-LL-80	\$252		
100	TD125NU-FTU-LL-100	\$162	TD125HU-FTU-LL-100	\$252		
125	TD125NU-FTU-LL-125	\$288	TD125HU-FTU-LL-125	\$367		
<b>250 Amp Frame</b>						
150	TS250NU-FTU-LL-150	\$340	TS250HU-FTU-LL-150	\$436	Fixed thermal/ Fixed magnetic	Line-side/ Load-side Lugs
175	TS250NU-FTU-LL-175	\$340	TS250HU-FTU-LL-175	\$436		
200	TS250NU-FTU-LL-200	\$340	TS250HU-FTU-LL-200	\$436		
225	TS250NU-FTU-LL-225	\$340	TS250HU-FTU-LL-225	\$436		
250	TS250NU-FTU-LL-250	\$340	TS250HU-FTU-LL-250	\$436		
<b>400 Amp Frame</b>						
300	TS400NU-FMU-LL-300	\$601	TS400HU-FMU-LL-300	\$897	Adjustable Thermal/ Fixed Magnetic	Line-side/ Load-side Lugs
400	TS400NU-FMU-LL-400	\$601	TS400HU-FMU-LL-400	\$897		
<b>800 Amp Frame</b>						
500	TS800NU-FMU-LL-500	\$1,170	TS800HU-FMU-LL-500	\$1,595	Adjustable Thermal/ Fixed Magnetic	Line-side/ Load-side Lugs
600	TS800NU-FMU-LL-600	\$1,170	TS800HU-FMU-LL-600	\$1,595		
800	TS800NU-FMU-LL-800	\$1,300	TS800HU-FMU-LL-800	\$1,772		

Lead time items. Lead time 5-7 days. Call to confirm delivery.

## General Specifications

Series	Standard Breaking Capacity				High Breaking Capacity			
	TD125NU	TS250NU	TS400NU	TS800NU	TD125HU	TS250HU	TS400HU	TS800HU
Frame size (AF)	125	250	400	800	125	250	400	800
Wire/Cable Size	AWG 14 - 1/0	AWG 1 - 400 kcmil	250 kcmil - 500 kcmil 3/0 (2 conductor)	250 - 500 kcmil (2 conductor) 300 - 400 kcmil (3 conductor)	AWG 14 - 1/0	AWG 1 - 400 kcmil	250 kcmil - 500 kcmil 3/0 (2 conductor)	250 - 500 kcmil (2 conductor) 300 - 400 kcmil (3 conductor)
Rated operational voltage	600V AC	600V AC	600V AC	600V AC	600V AC	600V AC	600V AC	600V AC
UL interrupting rating								
240 VAC 50/60Hz	50kA	50kA	50kA	50kA	100kA	100kA	100kA	100kA
480 VAC 50/60Hz	35kA	35kA	35kA	35kA	65kA	65kA	65kA	65kA
600 VAC 50/60Hz	10kA	10kA	10kA	10kA	14kA	14kA	14kA	14kA
Reference standard	UL 489, File No. 231289				UL 489, File No. 231289			
Mechanical life (operations)	4,000	5,000	5,000	3,000	4,000	5,000	5,000	3,000
Electrical life (operations)	4,000 @ 600V AC	1,000 @ 600V AC	1,000 @ 600V AC	500 @ 600V AC	4,000 @ 600V AC	1,000 @ 600V AC	1,000 @ 600V AC	500 @ 600V AC
Weight (lbs)	2.7	12.6	12.6	30.0	2.7	12.6	12.6	30.0

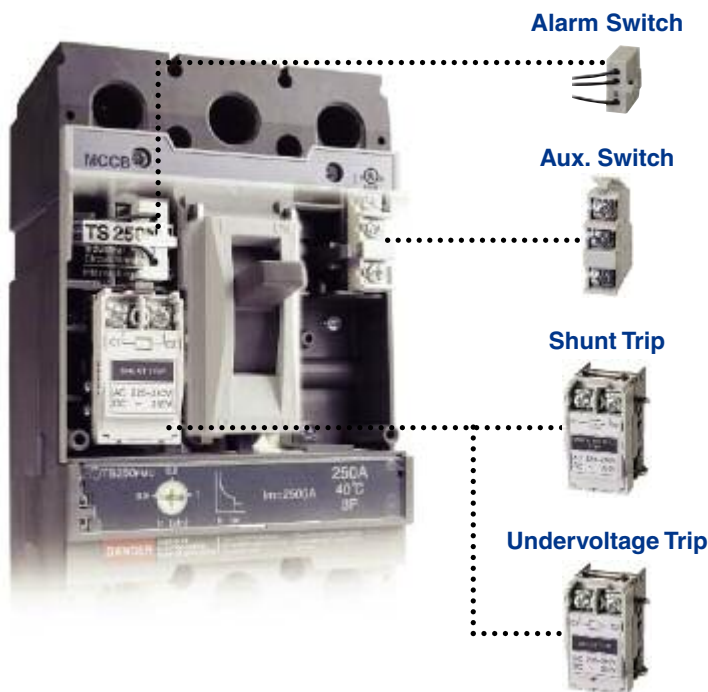
To order call **1.800.972.0436** or visit **factorymation.com**

No Games, No Gimmicks...

...Just Great Products at Great Prices!!!

## Internal Accessories

Common use to all Susol TD and TS circuit breakers



### Internal electrical auxiliaries common for all frames

#### Alarm Switch (AL)

Alarm switches offer provisions for immediate audio or visual indication of a tripped breaker due to overload, short circuit, shunt trip, or undervoltage release conditions. They are particularly useful in automated plants where operators must be signaled about changes in the electrical distribution system. This switch features a closed contact when the circuit breaker is tripped automatically. In other words, this switch does not function when the breaker is operated manually. Its contact is open when the circuit breaker is reset.

#### Auxiliary Switch (AX)

Auxiliary switch is for applications requiring remote "ON" and "OFF" indication. Each switch contains two contacts having a common connection. One is open and the other closed when the circuit breaker is open, and vice-versa.

#### Undervoltage Trip (UVT)

The undervoltage release automatically opens a circuit breaker when voltage drops to a value ranging between 35% to 70% of the line voltage. The operation is instantaneous, and after tripping, the circuit breaker cannot be closed again until the voltage returns to 85% of line voltage. The undervoltage release can be easily installed in the left accessory compartment of the Susol TD and TS circuit-breakers.

#### Shunt Trip (SHT)

The shunt release opens the mechanism in response to an externally applied voltage signal. The shunt trip includes coil clearing contacts that automatically clear the signal circuit when the mechanism has tripped. The shunt release can be installed in the left accessory compartment of the Susol TD and TS circuit-breakers.

## Auxiliary Switches

Part Number	Contact Rating	Configuration	Price
S-AX	3A @ 250VAC.	1PD1 (1 N.O., 1 N.C.)	\$14
S-AL	4A @ 30VDC		\$11

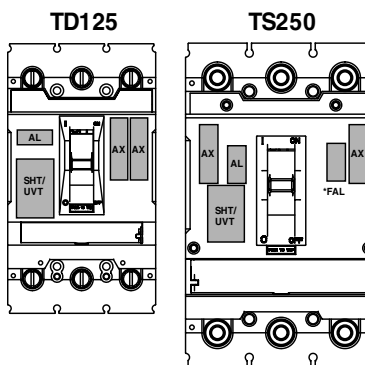
## Shunt Trip Modules

Part Number	Control Voltage	Current	Operating Voltage	Applicable MCCB	Price
S-SHT-12	12V DC	30mA	0.7-1.1Vn	TD125 TS250 TS400 TS800	\$41
S-SHT-24	24V AC/DC	24mA			\$41
S-SHT-48	48V AC/DC	25mA			\$41
S-SHT-120	110-130V AC/DC	10.5mA			\$41
S-SHT-230	220-240V AC/DC	7.5mA			\$41
S-SHT-440	380-500V AC/DC	2.3mA			\$41

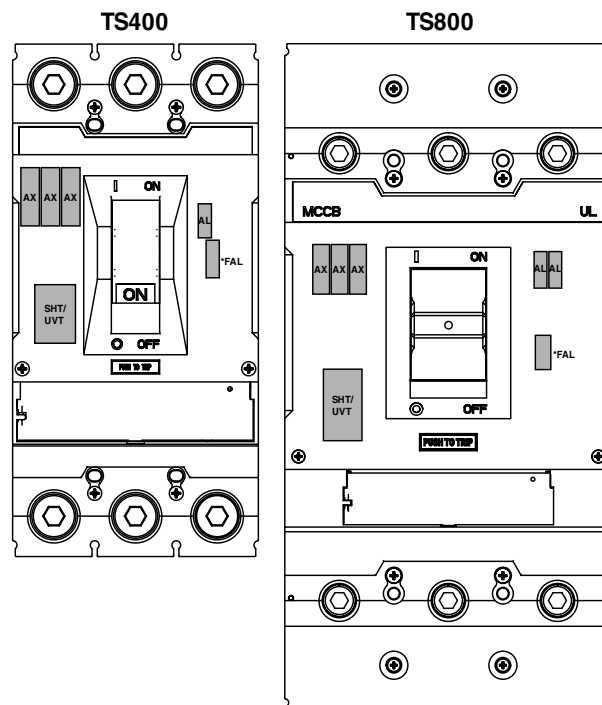
## Undervoltage Trip Modules

Part Number	Control Voltage	Current	Tripping Voltage	Applicable MCCB	Price
S-UVT-24	24V AC/DC	27mA	0.35-0.70Vn	TD125 TS250 TS400 TS800	\$57
S-UVT-48	48V AC/DC	23mA			\$57
S-UVT-120	110-130V AC/DC	5.8mA			\$57
S-UVT-230	220-240V AC, 250V DC	5.4mA			\$57
S-UVT-410	380-440V AC	3.8mA			\$57
S-UVT-460	440-480V AC	3.5mA			\$57

## Possible configuration of electrical auxiliaries



Module	TD125	TS250	TS400	TS800
<b>Left Side Compartment</b>				
AX	-	1	3	3
AL	1	1	-	-
SHT or UVT	1	1	1	1
<b>Right Side Compartment</b>				
AX	2	1	-	-
AL	-	-	1	2



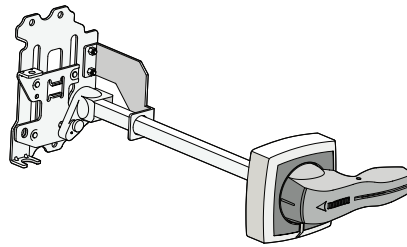
**FREE Ground Shipping!\***  
for online orders over \$500



## External Accessories

### Rotary Disconnect Handles

The rotary handle operating mechanism is available for placing a MCCB disconnect handle on the outside of an electrical enclosure. Each handle includes a padlocking provision for safety lockout. There are 3 shaft lengths available: 12, 16, and 24 inch. Shafts can be cut to length for a proper fit to your enclosure. E-GASKET required for IP65 rating.



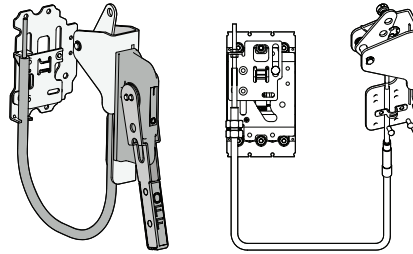
#### Gasket

Part Number	Fits Handle	Rating	Price
E-GASKET	S-EHUx-xx	IP65	\$14

Part Number	Applicable MCCB	Rating	Shaft Length	Price
S-EHU1-12	TD125	IP65	12 inch	\$64
S-EHU1-16			16 inch	\$70
S-EHU1-24			24 inch	\$77
S-EHU2-12	TS250	IP65	12 inch	\$70
S-EHU2-16			16 inch	\$77
S-EHU2-24			24 inch	\$83
S-EHU3-12	TS400	IP65	12 inch	\$83
S-EHU3-16			16 inch	\$90
S-EHU3-24			24 inch	\$96
S-EHU4-12	TS800	IP65	12 inch	\$128
S-EHU4-16			16 inch	\$134
S-EHU4-24			24 inch	\$140

### Flange-mount Handles and Cables

The cable-operated disconnect handle is designed to be mounted on the flange of disconnect enclosures. The flexible cable allows for easy installation and can be padlocked for safety lockout. Select cable length of 36, 48, 60, or 72 inches. Cable sold separately.



#### Flange Handles

Part Number	Applicable MCCB	NEMA Rating	Price
S-FH1	TD125	1, 12, 3R	\$91
S-FH2	TS250	1, 12, 3R	\$101
S-FH3	TS400	1, 12, 3R	\$117
S-FH4	TS800	1, 12, 3R	\$154

#### Flange Cables

Part Number	Applicable MCCB	Cable Length	Price
S-FC2-36	TD125, TS250	36 inch	\$35
S-FC2-48	TD125, TS250	48 inch	\$38
S-FC4-36	TS400, TS800	36 inch	\$35
S-FC4-48	TS400, TS800	48 inch	\$38
S-FC4-60	TS400, TS800	60 inch	\$41
S-FC4-72	TS400, TS800	72 inch	\$45

### Locking Devices

#### Removable locking device

The removable locking device is available for all TD and TS circuit-breakers. The locking device is designed to be easily attached to the circuit-breaker. This device allows the handle to be locked in the "OFF" position. Locking in the OFF position guarantees isolation according to UL489 File E223241. A maximum of three (3) padlocks with shackle diameters ranging from 0.2"–0.3" may be used. (Padlocks are not supplied)

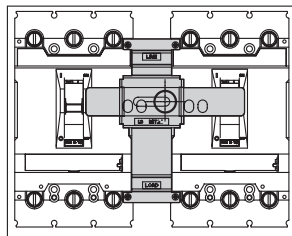
#### Fixed locking device

The fixed locking device is available for all TD and TS circuit-breakers. This device allows the handle to be locked in the "ON" or "OFF" position. Locking in the OFF position guarantees isolation according to IEC 60947-2. A maximum of three (3) padlocks with shackle diameters ranging from 0.2"–0.3" may be used. (Padlocks are not supplied)

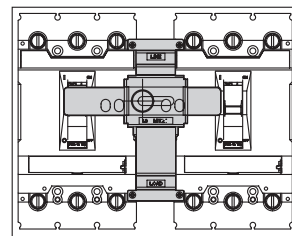
#### Mechanical Interlock Device

The mechanical interlock (MIT) can be applied on the front of two breakers mounted side by side and prevents simultaneous closing of the two breakers. The interlock is attached directly to the cover of the breakers. The front interlocking plate allows installation of a padlock in order to fix the position.

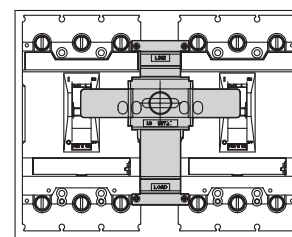
#### Mechanical Interlocking Device



Left MCCB: ON/OFF is possible  
Right MCCB: Off lock



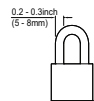
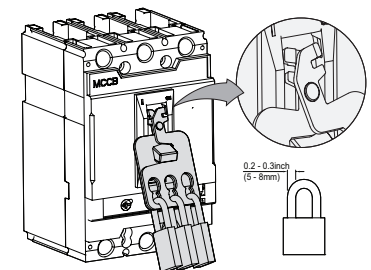
Left MCCB: Off lock  
Right MCCB: ON/OFF is possible



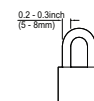
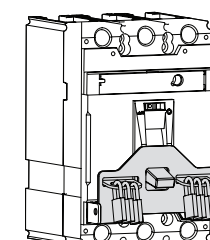
Both MCCBs are of locked

Part Number	Description	Price
S-PL1	Removable Locking Device, TD125	\$14
S-PL2	Removable Locking Device, TS250	\$16
S-PL3	Removable Locking Device, TS400	\$19
S-PL4	Removable Locking Device, TS800	\$21
S-PHL1	Fixed Locking Device, TD125	\$14
S-PHL2	Fixed Locking Device, TS250	\$16
S-PHL3	Fixed Locking Device, TS400	\$40
S-PHL4	Fixed Locking Device, TS800	\$41
MIT13	Mechanical Interlock Assembly, TD125	\$80
MIT23	Mechanical Interlock Assembly, TS250	\$89
MIT33	Mechanical Interlock Assembly, TS400	\$95
MIT43	Mechanical Interlock Assembly, TS800	\$99

#### Removable Locking Device



#### Fixed Locking Device



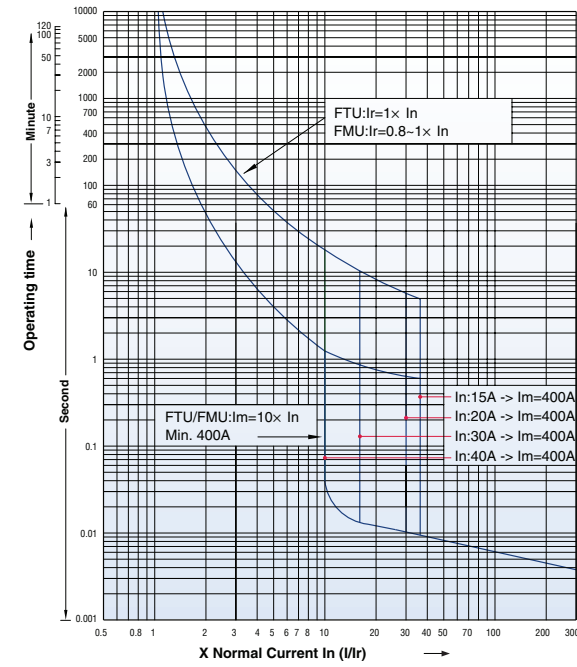
To order call **1.800.972.0436** or visit **factorymation.com**

No Games, No Gimmicks...

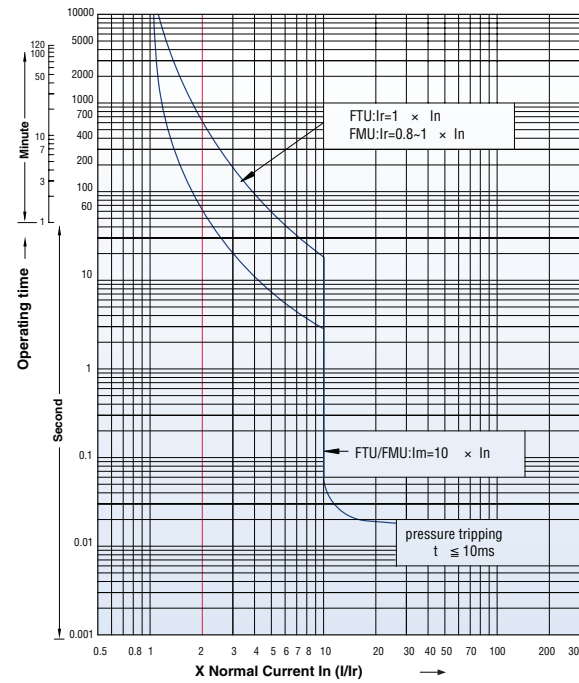
...Just Great Products at Great Prices!!!

# Susol MCCB Characteristic Curves

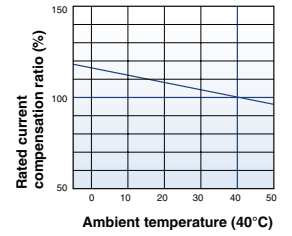
## TD125 Frame



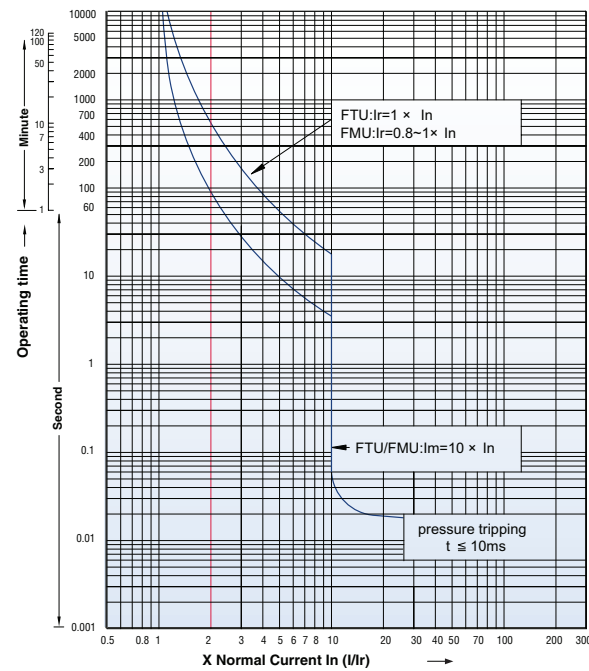
## TS250 Frame



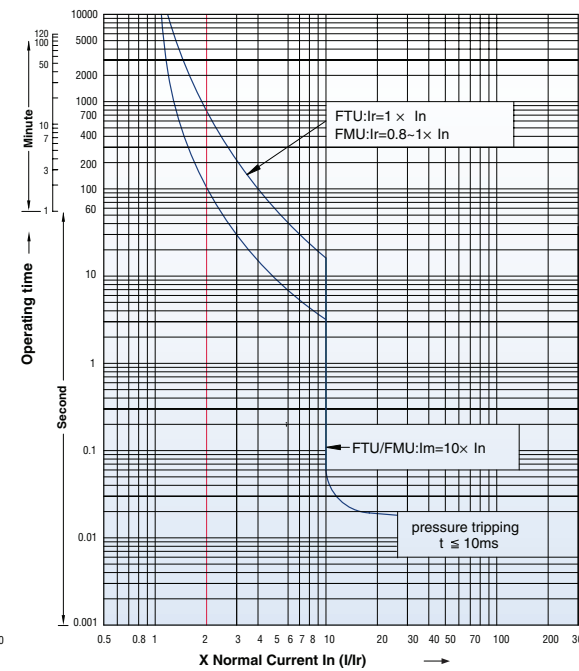
## Temp. Characteristic



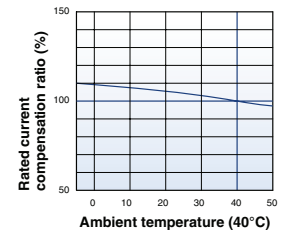
## TS400 Frame



## TS800 Frame



## Temp. Characteristic

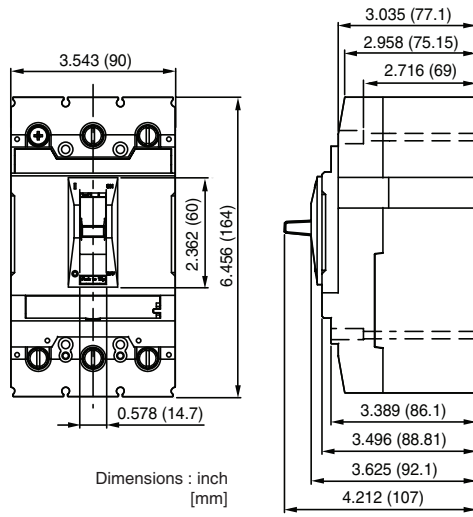


**FREE Ground Shipping!\***  
for online orders over \$500

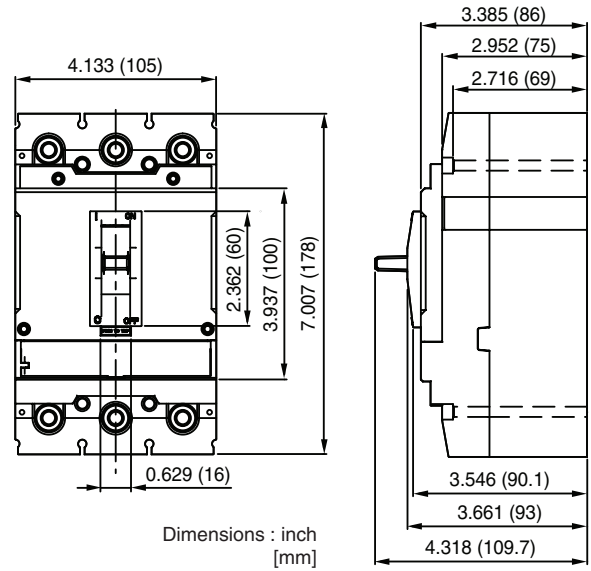


## Susol MCCB Dimensions

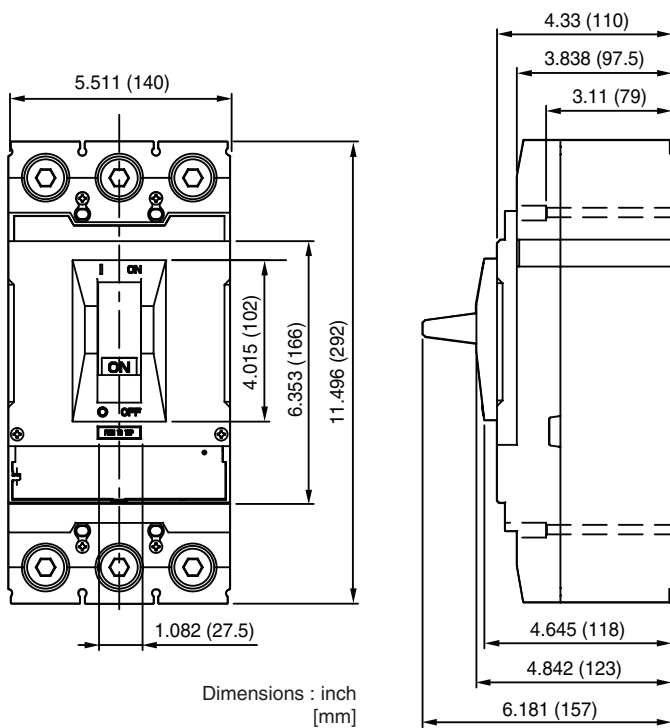
### TD125 Frame



### TS250 Frame



### TS400 Frame



### TS800 Frame

