

ENCLOSED D.O.L. MOTOR STARTERS (CONT'D)

Full Voltage Magnetic Motor Starter



from **\$72**

NEW!

NEMA 4X Enclosure

Up to 75HP Models!



Note: 3-phase starters with 120V coils are wired for separate (remote) control.

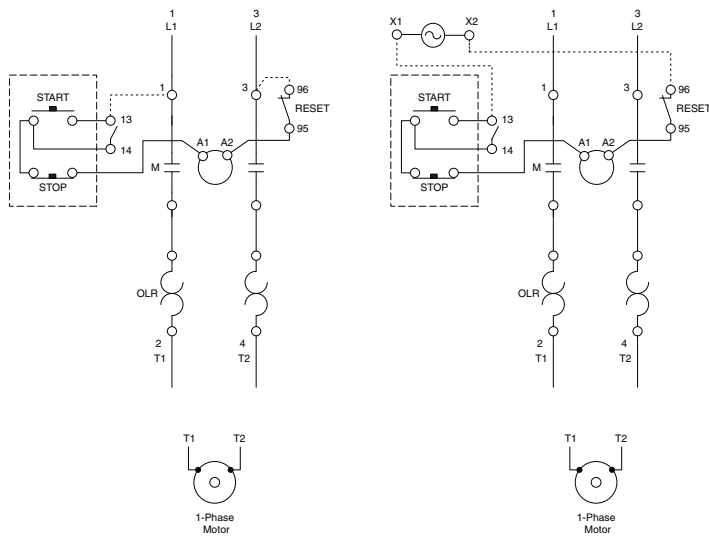
- NEMA 4X polymeric enclosure with standard size knockouts
- High horsepower ratings in four compact sizes
- Single-phase and three-phase models available
- Pre-wired START/STOP 3-wire control with through-the-cover overload RESET
- Class 10 overload relays - Class 10 direct heated bimetallic elements
- Adjustable trip current
- Ambient temperature compensation
- Phase-loss protection
- Selectable manual or automatic reset
- Electrically isolated N.O./N.C. auxiliary contacts

Single-phase Models

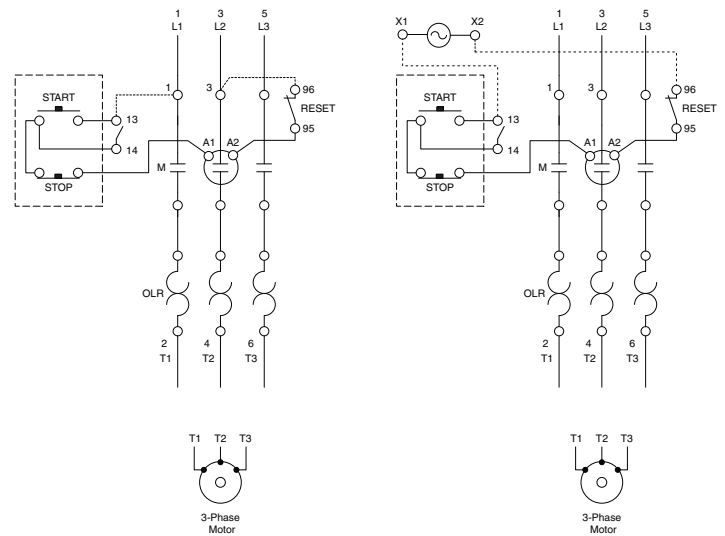
Max. UL HP	115V	230V	Box Size	Setting Range	Coil Voltage	RESET Only		START/STOP + RESET	
						Part Number	Price	Part Number	Price
-	1/2	04	2.8 - 4.0	208-240	PESWS-9V24EX-RM26	\$72	PESWS-9V24AX-RM26	\$80	
-	3/4	04	4.0 - 6.3	208-240	PESWS-9V24EX-RM27	\$72	PESWS-9V24AX-RM27	\$80	
1/3	1	04	5.6 - 8.0	120	PESWS-9V18EX-RM28	\$72	PESWS-9V18AX-RM28	\$80	
1/2	1	04	5.6 - 8.0	208-240	PESWS-9V24EX-RM28	\$72	PESWS-9V24AX-RM28	\$80	
1/2	-	04	7.0 - 10	120	PESWS-9V18EX-RM29	\$72	PESWS-9V18AX-RM29	\$80	
-	1-1/2	04	8.0 - 12.5	208-240	PESWS-9V24EX-RM30	\$72	PESWS-9V24AX-RM30	\$80	
3/4	2	04	10 - 15	120	PESWS-12V18EX-RM31	\$80	PESWS-12V18AX-RM31	\$88	
3/4	2	04	10 - 15	208-240	PESWS-12V24EX-RM31	\$80	PESWS-12V24AX-RM31	\$88	
1	3	04	11 - 17	120	PESWS-18V18EX-RM32	\$86	PESWS-18V18AX-RM32	\$94	
1	3	04	11 - 17	208-240	PESWS-18V24EX-RM32	\$86	PESWS-18V24AX-RM32	\$94	
1-1/2	5	04	15 - 23	120	PESWS-25V18EX-RM33	\$93	PESWS-25V18AX-RM33	\$100	
1-1/2	5	04	15 - 23	208-240	PESWS-25V24EX-RM33	\$93	PESWS-25V24AX-RM33	\$100	
2	5	04	22 - 32	120	PESWS-25V18EX-RM34	\$93	PESWS-25V18AX-RM34	\$100	
2	5	04	22 - 32	208-240	PESWS-25V24EX-RM34	\$93	PESWS-25V24AX-RM34	\$100	
3	-	06	25 - 40	120	PESWS-40V18EX-RM35	\$105	PESWS-40V18AX-RM35	\$112	
-	7-1/2	08	25 - 40	208-240	PESWS-50V24EX-RM36	\$160	PESWS-50V24AX-RM36	\$168	
-	7-1/2	08	32 - 50	208-240	PESWS-50V24EX-RM38	\$160	PESWS-50V24AX-RM38	\$168	
-	10	08	32 - 50	208-240	PESWS-65V24EX-RM38	\$192	PESWS-65V24AX-RM38	\$199	

Example Wiring Diagrams

Single-phase



Three-phase



Note: These wiring diagrams do not necessarily represent the exact wiring of the Motor Starter that you purchase. Always refer to the manufacturer's wiring label on the actual product.

