

CHOOSE FROM 4 GREAT SERIES OF AC DRIVES

TECO

FactoryMation and TECO have partnered to offer four great series of AC Drives to fit all your application needs. The FM50 Series is an easy to use sub-micro AC Drive that offers volts/hertz speed control and single-phase to three-phase power conversion at a great price. The CV7300 Series is a compact sensorless vector AC Drive with built-in PLC functionality. The CV7300 Series allows the use of one device for applications typically requiring an AC Drive and a programmable controller. The MA7200 Series is TECO's most versatile AC Drive with a real-language LCD display and models up to 75HP. The 7200GS Series is TECO's heavy duty drive for large machine and process applications.

FM50 1/4 to 3 HP

Sub-Micro AC Drive



from **\$99**

CV7300 1/2 to 15 HP

Compact Vector Drive w/ Built-in PLC



from **\$149**

MA7200 1 to 75 HP

Sensorless Vector AC Drive



from **\$224**

7200GS 50 to 400 HP

Heavy Duty Constant Torque AC Drive



from **\$4,482**

Benefits of using AC drives:

- Variable speed control of 3-phase AC motors
- Adjustable acceleration and deceleration
- Electronic overload protection for AC motor
- Control three-phase motor with single-phase input power*
- Improve power factor
- Reduce peak inrush currents

* Derating required for units 5HP and above (call for details).

Features	FM50	CV7300	MA7200	7200GS
HP Range	1/4 to 3 HP	1/2 to 15 HP	1 to 75 HP	50 to 400 HP
V/Hz Control	✓	✓	✓	✓
Sensorless Vector Control		✓	✓	✓
PG Feedback with 0.1% accuracy		-	✓	✓
Frequency Control Range	1 to 200Hz	0.1 to 400Hz	0.5 to 400Hz	0.1 to 400Hz
150% rated current for 60 seconds	✓	✓	✓	✓
200% instantaneous rated current	✓	✓	✓	✓
Electronic Overload Protection	✓	✓	✓	✓
Grnd Fault & Short Circ. Protection	✓	✓	✓	✓
Analog Inputs	1	up to 2	2	2
Analog Outputs	1	1	2	2
Digital Inputs	4	up to 6	8	8
Digital Outputs	1	2	3	4
Dynamic Braking Transistor	✓	✓	✓*	✓*
Built-in PLC		✓		
Removable Keypad		✓	✓	✓
LCD Copy Keypad			✓	✓
PID Control		✓	✓	✓
Keypad Potentiometer		✓	-	-
Environmental Rating	IP20**	IP20***	NEMA 1**	NEMA 1
2 Year Warranty	✓	✓	✓	✓
UL / CE LISTED	✓	✓	✓	✓

** Standard on 20HP models and below

*** NEMA 4 available

*** NEMA 1 adapter plate available

AC Drive Accessories

Line Reactors

1 - 500 HP



See AC Drives Accessories section

Braking Resistors

1 - 400 HP



See AC Drives Accessories section

Inverter Duty Motors

.25 to 500 HP



See AC Motors section

Power Vented Drive Enclosure

NEMA 3R



See Enclosure section

Circuit Protection

Molded Case Circuit Breakers & Fused Disconnects



See Circuit Protection section

Pushbuttons & Plastic Enclosures

22mm Pilot Devices



See Pushbutton and Enclosure sections

To order call **1.800.972.0436** or visit **factorymation.com**

No Games, No Gimmicks...

...Just Great Products at Great Prices!!!

FM50 Series Sub-Micro AC Drives



Starting from **\$99**

- 115, 230 and 460V Input Voltages
- 230 / 460V available Output Voltages
- Control 230V 3 PH motors with 115V Input Voltage up to 1 HP
- Pulse Width Modulation (PWM) utilizing IGBT Technology
- 150% rated current for 1 minute
- 200% instantaneous overcurrent
- Analog Input: 0-10VDC, 4-20mA, and 0-20mA signals
- Digital Inputs: 2 Programmable Multi-function Inputs; 2 Operation Control Inputs (FWD/REV)
- 1 Analog Output: 0-10VDC
- 1 Multi-function Output Relay
- **2 year warranty**

1/4 HP to 3 HP

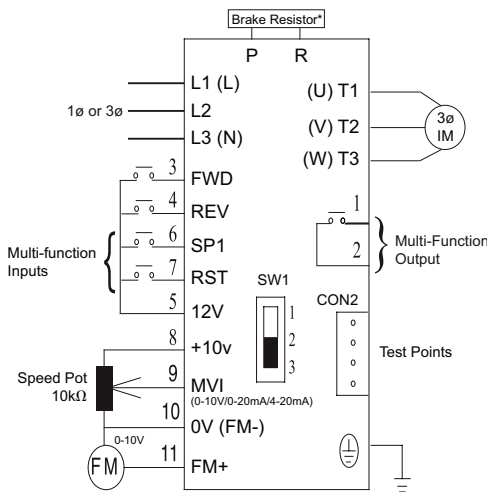
Standard Housing – IP20								
Part Number	HP	Input Voltage	Output Voltage	Output Amps	Dimensions (IN)			Price
					H	W	D	
FM50-1P2-C	0.25	115V, 1 PH	230V, 3 PH	1.4	5.20	2.83	4.65	\$99
FM50-1P5-C	0.5	115V, 1 PH	230V, 3 PH	2.3	5.20	2.83	4.65	\$105
FM50-101-C	1	115V, 1 PH	230V, 3 PH	4.2	5.20	2.83	4.65	\$120
FM50-2P2-C	0.25	230V, 1PH	230V, 3 PH	1.4	5.20	2.83	4.65	\$99
FM50-2P5-OC	0.5	230V, 1 PH	230V, 3 PH	2.3	5.20	2.83	4.65	\$105
FM50-201-OC	1	230V, 1 PH	230V, 3 PH	4.2	5.20	2.83	4.65	\$119
FM50-202-C	2	230V, 1 / 3 PH	230V, 3 PH	7.5	5.63	4.65	6.76	\$145
FM50-203-C	3	230V, 1 / 3 PH	230V, 3 PH	10.5	5.63	4.65	6.76	\$185
FM50-401-C	1	460V, 3 PH	460V, 3 PH	2.3	5.63	4.65	6.76	\$155
FM50-402-C	2	460V, 3 PH	460V, 3 PH	3.8	5.63	4.65	6.76	\$171
FM50-403-C	3	460V, 3 PH	460V, 3 PH	5.2	5.63	4.65	6.76	\$196

Also available with NEMA 4X rating



- Keypad mounted on exterior
- NEMA 4X for harsh environments (indoor use only)
- Disconnect switch, Speed Pot, Forward, Off, Reverse operators
- Extra large heatsink for cooling

Connection Diagram



Note: Brake resistors only compatible with 230V 2-3HP and 460V 1-3HP models.

NEMA 4X - With Keypad and Operators								
Part Number	HP	Input Voltage	Output Voltage	Output Amps	Dimensions (IN)			Price
					H	W	D	
FM50-2P2-N4FS	0.25	230V, 1PH	230V, 3 PH	1.4	8.49	5.54	6.70	\$317
FM50-2P5-N4FS	0.5	230V, 1 PH	230V, 3 PH	2.3	8.49	5.54	6.70	\$328
FM50-201-N4FS	1	230V, 1 PH	230V, 3 PH	4.2	8.49	5.54	6.70	\$335
FM50-202-N4FS	2	230V, 1 / 3 PH	230V, 3 PH	7.5	11.62	9.14	7.11	\$442
FM50-203-N4FS	3	230V, 1 / 3 PH	230V, 3 PH	10.5	11.62	9.14	7.11	\$489
FM50-401-N4FS	1	460V, 3 PH	460V, 3 PH	2.3	11.62	9.14	7.11	\$493
FM50-402-N4FS	2	460V, 3 PH	460V, 3 PH	3.8	11.62	9.14	7.11	\$533
FM50-403-N4FS	3	460V, 3 PH	460V, 3 PH	5.2	11.62	9.14	7.11	\$591

FM50 Series Accessories		
FM50-DIN-201	DIN-rail Mounting Kit	\$5
DBR-2002-C	Dynamic Brake Resistor, wire-wound, 230V, 2HP	\$20
DBR-2003-C	Dynamic Brake Resistor, wire-wound, 230V, 3HP	\$28
DBR-4001-C	Dynamic Brake Resistor, wire-wound, 460V, 1HP	\$15
DBR-4002-C	Dynamic Brake Resistor, wire-wound, 460V, 2HP	\$20
DBR-4003-C	Dynamic Brake Resistor, wire-wound, 460V, 3HP	\$27
FM-POT6	22mm potentiometer, 10kΩ, knob operator, NEMA 4X, IP66, includes 1-10 scale legend plate (see page 22)	\$34

General Specifications

Output Characteristics	Maximum Voltage	230V: 3-Phase, 200–230V 460V: 3-Phase, 380–460V
	Rated Output Frequency	Up to 200Hz
Control Characteristics	Digital Operator	Setup by ▲▼ buttons.
	Input Signal Type	PNP type (Source) Input (External 24VDC allowed)
	Carrier Frequency	4 - 16KHz
	Frequency Setting Signal	0-10VDC, 4-20mA, 0-20mA
	Accel/Decel Time	0.1-999 seconds
	Braking Torque	Approximately 20%
Protective Functions	Number of V/F Patterns	6 preset
		Instantaneous Overcurrent (200%), Overload (150% for 1 minute), Overvoltage, Undervoltage, Momentary Power Loss, Overheat, Stall Prevention, Ground Fault, Short Circuit
Environmental	Ambient Temperature	14–104°F (-10–40°C) (Non-frozen)
	Humidity	0-90% RH (Non-Condensing)
	Vibration	Under 1G (9.8ms ²)
	Enclosure Type	IP20 standard, NEMA 4X optional
Agency Approvals		UL508C, EN50081-1, EN50082-2, EN50178 (with optional filter)



FREE Ground Shipping!
for online orders over \$500



CV7300 Series AC Drive

from
\$149

Built-in
PID

DIN-rail
mount



Integrated
PLC functions

TECO

Features

- Auto-tuning Sensorless Vector Control with V/HZ mode
- Pulse Width Modulation (PWM) utilizing IGBT Technology
- Built-in PID Control
- 150% rated current for 1 minute, 200% instantaneous
- 2 Analog Inputs: 1 master speed reference accepts 0-10VDC, 4-20mA, and 0-20mA signals and 1 multi-function (0-10VDC)
- Digital Inputs: 5 PNP/NPN selectable
- 1 Analog Output (0-10VDC)
- 2 Multi-function Digital Relay Outputs
- Built-in dynamic braking transistor
- Electronic overload protection and stall prevention
- Ground fault and short circuit protection

Built-in PLC functions at no extra cost

- Ladder logic programming, up to 40 rungs of code
- Up to 7 Digital Inputs, 2 Relay Outputs, 2 Analog Inputs
- 8 Comparators (4 analog, 4 encoder)
- 8 Timers, 4 Counters, 15 Internal Relays
- **2 year warranty**

22mm Potentiometer for remote speed setpoint **\$34**

The FM-POT6 is a 22mm single turn potentiometer (10kΩ) which can be used remotely to set the speed setpoint of your variable frequency AC drive (compatible with FM50, CV7300, and MA7200 Series AC Drives). The FM-POT6 has a plastic operator and bezel and is rated NEMA 4/4X/13, IP66.



Part Number	HP	Input Voltage	Output Voltage	Output Amps	Dimensions (inches)				Price
					H	W	D	Frame	
230V Class: Single-phase Input, Three-phase Output									
CV-20P5-H1	0.5	230V, 1 PH	230V, 3 PH	3.1	6.42	3.54	5.79	1	\$155
CV-2001-H1	1	230V, 1 PH	230V, 3 PH	4.5	6.42	3.54	5.79	1	\$170
CV-2002-H1	2	230V, 1 PH	230V, 3 PH	7.5	7.36	5.04	5.83	2	\$240
CV-2003-H1	3	230V, 1 PH	230V, 3 PH	10.5	7.36	5.04	5.83	2	\$299
230V Class: Three-phase Input, Three-phase Output									
CV-20P5-H3	0.5	230V, 3 PH	230V, 3 PH	3.1	6.42	3.54	5.79	1	\$149
CV-2001-H3	1	230V, 3 PH	230V, 3 PH	4.5	6.42	3.54	5.79	1	\$165
CV-2002-H3	2	230V, 3 PH	230V, 3 PH	7.5	6.42	3.54	5.79	1	\$230
CV-2003-H3	3	230V, 3 PH	230V, 3 PH	10.5	7.36	5.04	5.83	2	\$289
CV-2005-H3	5	230V, 3 PH	230V, 3 PH	17.5	7.36	5.04	5.83	2	\$339
CV-27P5-H3	7.5	230V, 3 PH	230V, 3 PH	26	10.24	7.32	7.68	3	\$430
CV-2010-H3	10	230V, 3 PH	230V, 3 PH	35	10.24	7.32	7.68	3	\$550
460V Class: Three-phase Input, Three-phase Output									
CV-4001-H3	1	460V, 3 PH	460V, 3 PH	2.3	6.42	3.54	5.79	1	\$242
CV-4002-H3	2	460V, 3 PH	460V, 3 PH	3.8	6.42	3.54	5.79	1	\$272
CV-4003-H3	3	460V, 3 PH	460V, 3 PH	5.2	7.36	5.04	5.83	2	\$333
CV-4005-H3	5	460V, 3 PH	460V, 3 PH	8.8	7.36	5.04	5.83	2	\$385
CV-47P5-H3	7.5	460V, 3 PH	460V, 3 PH	13	10.24	7.32	7.68	3	\$520
CV-4010-H3	10	460V, 3 PH	460V, 3 PH	17.5	10.24	7.32	7.68	3	\$660
CV-4015-H3	15	460V, 3 PH	460V, 3 PH	25	10.24	7.32	7.68	3	\$770



Accessories	Price	
SIF-232	TECO 7300CV RS232 interface card with PC cable	\$18
SIF-485	TECO 7300CV MODBUS RS485 communications interface card	\$20
IFD6500	Delta Communication Interface, USB-to-RS485 converter	\$43
SIF-MP	TECO 7300CV memory pack	\$10
CV-LED-W	TECO 7300CV LED keypad	\$21
CV-LCD-W	TECO 7300CV LCD keypad	\$30
SNA201	TECO 7300CV NEMA 1 ADAPTOR FOR FRAME 1	\$9
SNA202	TECO 7300CV NEMA 1 ADAPTOR FOR FRAME 2	\$11
SNA203	TECO 7300CV NEMA 1 ADAPTOR FOR FRAME 3	\$12
SW30P5	TECO 7300CV Remote Keypad Cable 0.5M	\$38
SW3001	TECO 7300CV Remote Keypad Cable 1.0M	\$39
SW3002	TECO 7300CV Remote Keypad Cable 2.0M	\$40
SW3003	TECO 7300CV Remote Keypad Cable 3.0M	\$42
FM-POT6	22mm potentiometer, 10kΩ, knob operator, NEMA 4X, IP66, includes 1-10 scale legend plate	\$34

DBR-xxxx-C
Wire-wound Braking Resistor



DBR-xxxx
NEMA 1 Braking Resistor



Brake Resistors	Price	
DBR-2001-C	TECO Dynamic Brake Resistor, wire-wound, 230V, 1HP	\$14
DBR-2002-C	TECO Dynamic Brake Resistor, wire-wound, 230V, 2HP	\$20
DBR-2003-C	TECO Dynamic Brake Resistor, wire-wound, 230V, 3HP	\$28
DBR-2005-C	TECO Dynamic Brake Resistor, wire-wound, 230V, 5HP	\$38
DBR-27P5-C	TECO Dynamic Brake Resistor, wire-wound, 230V, 7.5HP	\$70
DBR-2010-C	TECO Dynamic Brake Resistor, wire-wound, 230V, 10HP	\$76
DBR-4001-C	TECO Dynamic Brake Resistor, wire-wound, 460V, 1HP	\$15
DBR-4002-C	TECO Dynamic Brake Resistor, wire-wound, 460V, 2HP	\$20
DBR-4003-C	TECO Dynamic Brake Resistor, wire-wound, 460V, 3HP	\$27
DBR-4005-C	TECO Dynamic Brake Resistor, wire-wound, 460V, 5HP	\$36
DBR-47P5-C	TECO Dynamic Brake Resistor, wire-wound, 460V, 7.5HP	\$68
DBR-4010-C	TECO Dynamic Brake Resistor, wire-wound, 460V, 10HP	\$80
DBR-4015	Dynamic Braking Resistor, NEMA 1 Enclosure, 460V, 15 HP, Includes thermal switch and terminal blocks	\$182

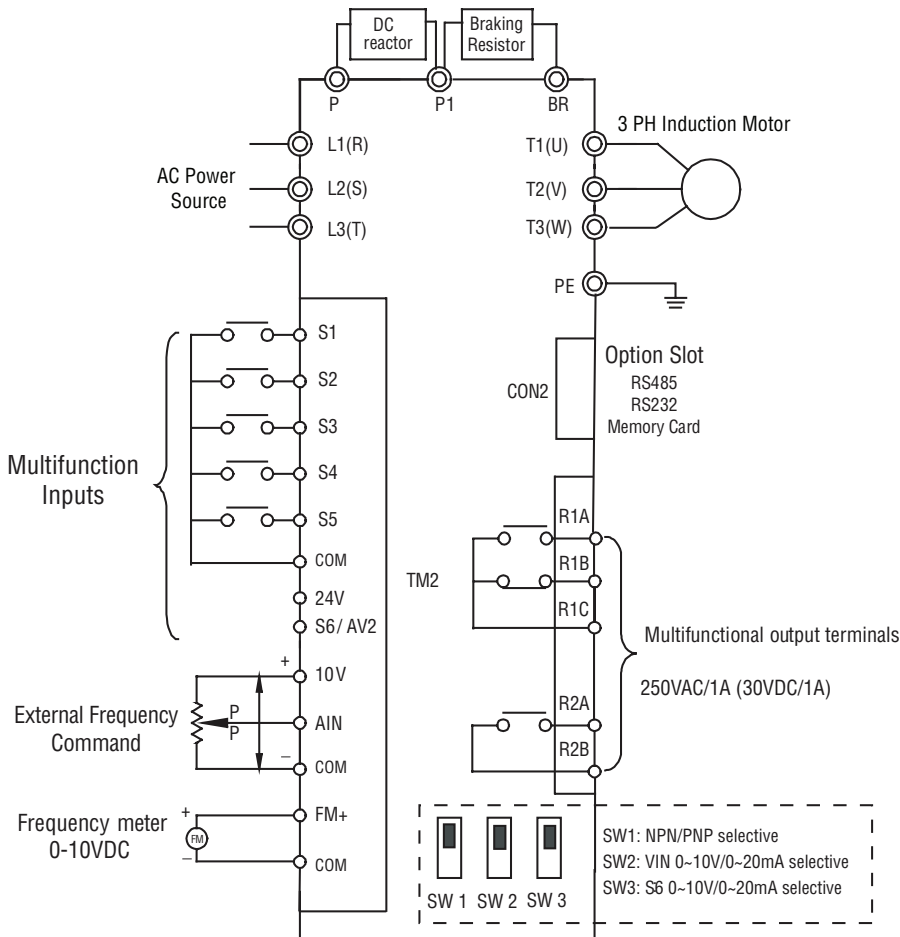
To order call **1.800.972.0436** or visit **factorymation.com**

No Games, No Gimmicks...

...Just Great Products at Great Prices!!!

General Specifications

Output Characteristics	Maximum Output Voltage	230V: 200-240V, 3-Phase 460V: 380-480V, 3-Phase
	Rated Output Frequency	0 - 400Hz
	Output Frequency Resolution	0.01Hz
Power Supply	Rated Input Power	230V: 200-240V, 50/60Hz 460V: 380-480V, 50/60Hz
	Control Mode	Sensorless Vector, V/Hz
Control	Carrier Frequency	2 to 16kHz
	Frequency Control Range	0.1 - 400.0Hz
	Speed Control Accuracy	V/Hz: +/- 2% Sensorless Vector: +/- 0.5%
	Overload Capacity	150% Rated Output Current for 60 sec.
	Frequency Setting Signal	0-10VDC, 4-20mA
	Accel/Decel Time	0.1-3600 sec. (Independent Accel/Decel Times)
	Number of V/F Patterns	18 Preset V/F Patterns, 1 Custom V/F Pattern
	Braking Torque	Approximately 20%
Protective Functions		Stall Prevention, Instantaneous Overcurrent (200%), Motor Overload Protection, Overvoltage, Undervoltage, Momentary Power Loss, Overheat Protection, Ground Fault, Power Charge Indication
Environmental Conditions	Location	Indoor (IP20), NEMA 1 w/ optional conduit box
	Ambient Temperature	+14F to 104F (Not Frozen)
	Storage Temperature	-4F to 140F
	Altitude	<1000m
	Humidity	<95% RH (Non-condensing)
	Vibration	9.8m/s ² (1.0G)
Agency Approvals		UL (508C), cUL, RoHS, CE 61800-3, EN50178



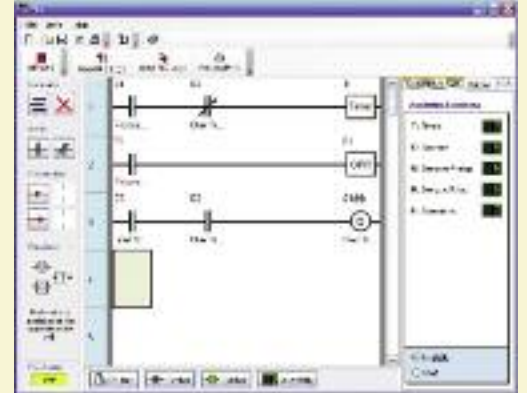
FREE Programming Software

Fully functional 7300CV Link programming software with online help. No demo time-outs. Available for free download at www.factorymation.com

Easy to use terminal view, just click and set!



Program PLC functions using Ladder Logic



Quick setup Wizard makes startup easy



Online monitoring, debugging and testing



FREE Ground Shipping!*
for online orders over \$500



MA7200 Sensorless Vector AC Drives

Starting from

\$224



1 HP to
75 HP



- Auto-tuning Sensorless Vector Control with V/Hz mode
- Pulse Width Modulation (PWM) utilizing IGBT Technology
- Built-in PID Control
- Built-in PG interface enables speed control accuracy of 0.1%
- 150% rated current for 1 minute
- 200% instantaneous overcurrent
- 2 Analog Inputs: 1 master speed reference accepts 0-10VDC, 4-20mA, and 0-20mA signals and 1 multi-function (0-10VDC)
- Digital Inputs: 4 Preset and 4 User Programmable
- 2 Analog Outputs (0-10VDC)
- 3 Multi-function Digital Outputs - 2 Relay and 1 Open Collector
- Built-in dynamic braking transistor (up to 20 HP)
- Parameter Copy standard on keypad for cloning drive programs
- Communications - Modbus RTU Standard for controlling, programming, and monitoring remotely
- Electronic overload protection and stall prevention
- Ground fault and short circuit protection
- Full line of accessories available
- **2 year warranty**

22mm Potentiometer for remote speed setpoint

\$34

The FM-POT6 is a 22mm single turn potentiometer (10kΩ) which can be used remotely to set the speed setpoint of your variable frequency AC drive (compatible with FM50, CV7300, and MA7200 Series AC Drives). The FM-POT6 has a plastic operator and bezel and is rated NEMA 4/4X/13, IP66.



Part Number	HP	Input Voltage	Output Voltage	Output Amps	Dimensions (Inches)			Price
					H	W	D	
230V Class: Three-phase Input, Three-phase Output								
MA7200-2001-N1	1	230V 1 / 3 PH	230V 3 PH	4.8	8.54	5.20	5.65	\$224
MA7200-2002-N1	2	230V 1 / 3 PH	230V 3 PH	6.4	8.54	5.20	5.65	\$262
MA7200-2003-N1	3	230V 1 / 3 PH	230V 3 PH	9.6	11.00	5.51	6.95	\$311
MA7200-2005-N1	5	230V 3 PH	230V 3 PH	17.5	11.00	5.51	6.95	\$359
MA7200-2007-N1	7.5	230V 3 PH	230V 3 PH	24	11.81	8.32	8.46	\$487
MA7200-2010-N1	10	230V 3 PH	230V 3 PH	32	11.81	8.32	8.46	\$622
MA7200-2015-N1	15	230V 3 PH	230V 3 PH	48	14.17	10.43	8.86	\$779
MA7200-2020-N1	20	230V 3 PH	230V 3 PH	64	14.17	10.43	8.86	\$1,012
MA7200-2025-N1	25	230V 3 PH	230V 3 PH	80	14.17	10.43	8.86	\$1,199
MA7200-2030-N1	30	230V 3 PH	230V 3 PH	96	25.45	10.62	10.91	\$1,449
MA7200-2040-N1	40	230V 3 PH	230V 3 PH	130	25.45	10.62	10.91	\$2,099
460V Class: Three-phase Input, Three-phase Output								
MA7200-4001-N1	1	460V, 3 PH	460V, 3 PH	2.6	8.54	5.20	5.65	\$299
MA7200-4002-N1	2	460V, 3 PH	460V, 3 PH	4	8.54	5.20	5.65	\$329
MA7200-4003-N1	3	460V, 3 PH	460V, 3 PH	4.8	11.00	5.51	6.95	\$352
MA7200-4005-N1	5	460V, 3 PH	460V, 3 PH	8.7	11.00	5.51	6.95	\$389
MA7200-4007-N1	7.5	460V, 3 PH	460V, 3 PH	12	11.81	8.32	8.46	\$547
MA7200-4010-N1	10	460V, 3 PH	460V, 3 PH	15	11.81	8.32	8.46	\$659
MA7200-4015-N1	15	460V, 3 PH	460V, 3 PH	24	14.17	8.32	8.86	\$854
MA7200-4020-N1	20	460V, 3 PH	460V, 3 PH	32	14.17	10.43	8.86	\$1,099
MA7200-4025-N1	25	460V, 3 PH	460V, 3 PH	40	14.17	10.43	8.86	\$1,259
MA7200-4030-N1	30	460V, 3 PH	460V, 3 PH	48	14.17	10.43	8.86	\$1,499
MA7200-4040-N1	40	460V, 3 PH	460V, 3 PH	64	25.45	10.60	10.91	\$1,899
MA7200-4050-N1	50	460V, 3 PH	460V, 3 PH	80	25.45	10.60	10.91	\$2,299
MA7200-4060-N1	60	460V, 3 PH	460V, 3 PH	96	29.39	12.13	11.11	\$2,699
MA7200-4075-N1	75	460V, 3 PH	460V, 3 PH	128	29.39	12.13	11.11	\$2,989

Also available with NEMA 4/12 rating



- Keypad mounted on exterior
- NEMA 4/12 for harsh environments (indoor use only)
- Speed Pot included
- Extra large heatsink for cooling

Part Number	HP	Input Voltage	Output Voltage	Output Amps	Dimensions (Inches)			Price
					H	W	D	
230V Class: Three-phase Input, Three-phase Output								
MA7200-2001-N4	1	230V 1 / 3 PH	230V 3 PH	4.8	13.19	7.80	8.54	\$408
MA7200-2002-N4	2	230V 1 / 3 PH	230V 3 PH	6.4	13.19	7.80	8.54	\$432
MA7200-2003-N4	3	230V 1 / 3 PH	230V 3 PH	9.6	13.19	7.80	8.54	\$602
MA7200-2005-N4	5	230V 3 PH	230V 3 PH	17.5	13.19	7.80	8.54	\$677
MA7200-2007-N4	7.5	230V 3 PH	230V 3 PH	24	18.11	8.78	9.65	\$933
MA7200-2010-N4	10	230V 3 PH	230V 3 PH	32	18.11	8.78	9.65	\$1,024
MA7200-2015-N4	15	230V 3 PH	230V 3 PH	48	18.11	8.78	9.65	\$1,282
MA7200-2020-N4	20	230V 3 PH	230V 3 PH	64	18.11	8.78	9.65	\$1,374
460V Class: Three-phase Input, Three-phase Output								
MA7200-4001-N4	1	460V, 3 PH	460V, 3 PH	2.6	13.19	7.80	8.54	\$437
MA7200-4002-N4	2	460V, 3 PH	460V, 3 PH	4	13.19	7.80	8.54	\$466
MA7200-4003-N4	3	460V, 3 PH	460V, 3 PH	4.8	13.19	7.80	8.54	\$602
MA7200-4005-N4	5	460V, 3 PH	460V, 3 PH	8.7	13.19	7.80	8.54	\$834
MA7200-4007-N4	7.5	460V, 3 PH	460V, 3 PH	12	18.11	8.78	9.65	\$952
MA7200-4010-N4	10	460V, 3 PH	460V, 3 PH	15	18.11	8.78	9.65	\$1,033
MA7200-4015-N4	15	460V, 3 PH	460V, 3 PH	24	18.11	8.78	9.65	\$1,301
MA7200-4020-N4	20	460V, 3 PH	460V, 3 PH	32	18.11	8.78	9.65	\$1,393

Accessories		Price
JNEP-16	Remote Operator with Analog Hz meter, potentiometer, Run/Stop switch, and momentary control switch	\$72
4LA95X357S01	Spare LCD Digital Keypad Operator for MA7200	\$110
GS-CBL-1	1 Meter extension cable with blank operator (no interface)	\$20
GS-CBL-3	3 Meter extension cable with blank operator (no interface)	\$26
IFD6500	Delta Communication Interface, USB-to-RS485 converter	\$43
FM-POT6	22mm potentiometer, 10kΩ, knob operator, NEMA 4X, IP66; includes: 1-10 scale legend plate	\$34

To order call **1.800.972.0436** or visit **factorymation.com**

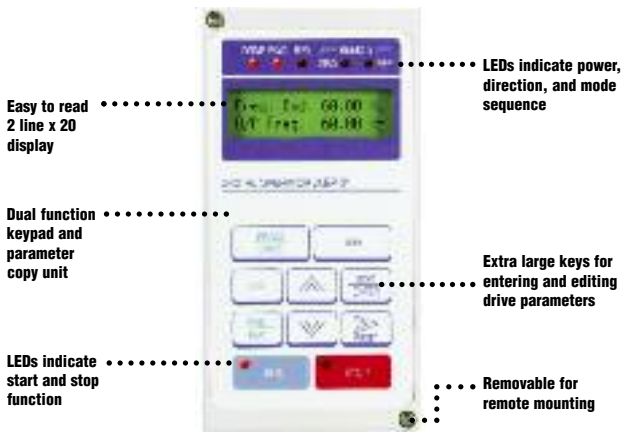
No Games, No Gimmicks...

...Just Great Products at Great Prices!!!

General Specifications

Output Characteristics	Maximum Output Voltage	230V Models: 208 to 230V, 3-Phase 460V Models: 380 to 460V, 3-Phase
	Rated Output Frequency	0-400Hz
	Output Freq. Resolution	0.01Hz
Power Supply	Rated Input Power	230V: 1 to 3 HP, 1 / 3 Phase, 208-230V, 50/60Hz 5 to 40 HP, 3 Phase, 208-230V, 50/60Hz 460V: 1 to 75 HP, 3 Phase, 380-460V, 50/60Hz
	Control Mode	Sensorless Vector, V/Hz, or V/Hz with PG Feedback
Control	Carrier Frequency	2.5 to 15kHz
	Frequency Control Range	0.5 to 400Hz
	Speed Control Accuracy	Sensorless Vector: +/- 0.5% V/Hz with PG Feedback: +/- 0.1%
	Overload Capacity	150% Rated Output Current for 60 sec.
	Frequency Setting Signal	0-10VDC, 4-20mA
	Accel/Decel Time	0.0-6000 sec. (Independent Accel/Decel Times)
	Number of V/F Patterns	15 Preset V/F Patterns, 1 Custom V/F Pattern
	Braking Torque	Approximately 20%
Protective Functions		Stall Prevention, Instantaneous Overcurrent (200%), Motor Overload Protection, Overvoltage, Undervoltage, Momentary Power Loss, Overheat Protection, Ground Fault, Power charge indication
Environmental Conditions	Location	Indoor (NEMA 1)
	Ambient Temperature	+14°F to 104°F (Not Frozen)
	Storage Temperature	-4°F to 140°F
	Humidity	<90% RH (Non-condensing)
	Vibration	<1000m, 5.9m/s ² (0.6G)
Agency Approvals		UL (508C), cUL, CE, EN50081-2 (Requires external EMI/RFI Filter), EN50082-2

MA7200 Operator Interface

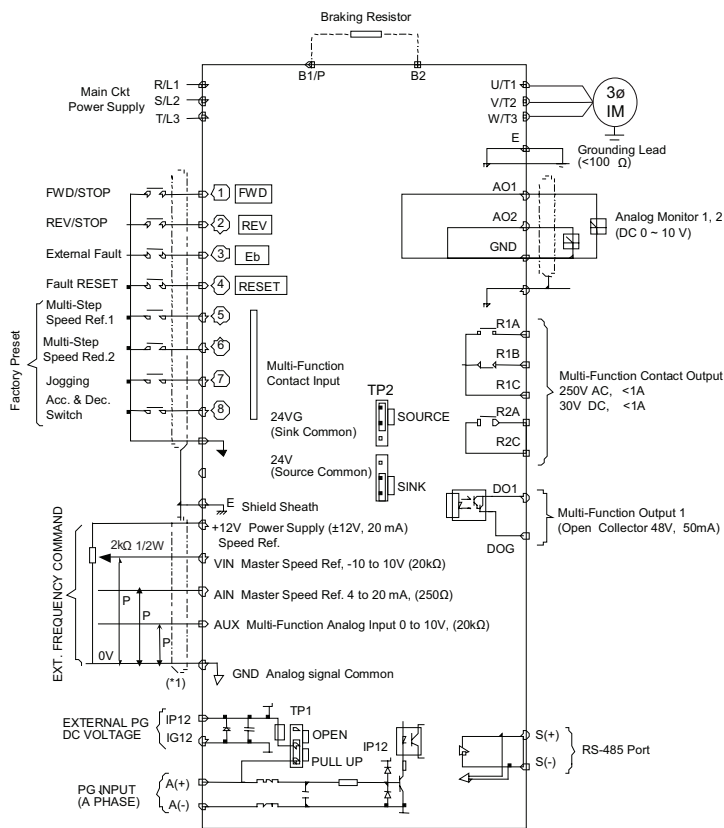


FREE Programming Software

The 7200MA Link Software allows users to program and monitor the MA7200 AC Drives. The 7200MA Link Software is FREE for download at www.factorymation.com.



Connection Diagram



AC Drive Accessories

- MCCB**
 Molded Case Circuit Breaker is used to protect branch circuit from short-circuit and overload conditions.
- Input Line Reactor**
 Used to improve power factor, reduce surge current, and improve the overall performance of AC Drive.
- Braking Resistor**
 Used to enhance braking capability of AC Drive and reduce nuisance overvoltage tripping during deceleration.
- AC Induction Motor**
 Motor should be inverter duty with a speed rating adequate for your application.

FREE Ground Shipping!* for online orders over \$500



7200GS Heavy Duty Sensorless Vector AC Drive



Features

- Auto-tuning Sensorless Vector Control with V/Hz mode
- Pulse Width Modulation (PWM) utilizing IGBT Technology
- Built-in PID Control
- Built-in PG interface enables speed control accuracy of 0.03%
- 150% rated current for 1 minute
- 200% instantaneous overcurrent
- 2 Analog Inputs: 1 master speed reference accepts 0-10VDC, 4-20mA, and 0-20mA signals and 1 multi-function (0-10VDC)
- Digital Inputs: 4 Preset and 4 User Programmable
- 2 Analog Outputs (0-10VDC)
- 3 Multi-function Digital Outputs - 2 Relay and 1 Open Collector
- Built-in dynamic braking transistor (up to 20 HP)
- Parameter Copy standard on keypad for cloning drive programs
- Communications - Modbus RTU Standard for controlling, programming, and monitoring remotely
- Electronic overload protection and stall prevention
- Ground fault and short circuit protection
- Full line of accessories available
- **2 year warranty**

General Specifications

Output Characteristics	Maximum Output Voltage	230V Models: 208 to 230V; 460V Models: 380 to 460V
	Rated Output Frequency	0-400Hz
	Output Freq. Resolution	0.01Hz
Power Supply	Rated Input Power	230V: 25 to 100 HP, 3 Phase, 208-230V, 50/60Hz 460V: 25 to 400 HP, 3 Phase, 380-460V, 50/60Hz
	Control Modes	Sensorless Vector, V/Hz, or V/Hz with PG Feedback, or PID & Auto-Energy Saving Control
Control	Carrier Frequency	2.5 to 15kHz
	Frequency Control Range	0.5 to 400Hz
	Speed Control Accuracy	Sensorless Vector: +/- 0.5%; V/Hz with PG Feedback: +/- 0.1%
	Overload Capacity	150% Rated Output Current for 60 sec.
	Frequency Setting Signal	0-10VDC, 4-20mA
	Accel/Decel Time	0.0-6000 sec. (Independent Accel/Decel Times)
	Number of V/F Patterns	15 Preset V/F Patterns, 1 Custom V/F Pattern
	Braking Torque	Approximately 20%
Protective Functions		Stall Prevention, Instantaneous Overcurrent (200%), Motor Overload Protection, Overvoltage, Undervoltage, Momentary Power Loss, Overheat Protection, Ground Fault, Power charge indication
Environmental Conditions	Location	Indoor (NEMA 1)
	Ambient Temperature	+14°F to 104°F (Not Frozen)
	Storage Temperature	-4°F to 140°F
	Humidity	<90% RH (Non-condensing)
Agency Approvals	Vibration	<1000m, 5.9m/s ² (0.6G)
		UL (508C), cUL, CE, EN50081-2 (with EMI/RFI Filter), EN50082-2

Part Number	HP	Input Voltage	Output Voltage	Output Amps	Dimensions (Inches)			Price
					H	W	D	
230V Class: Three-phase Input, Three-phase Output								
GS-2050-N1	50	230V 3 PH	230V 3 PH	160	43.50	18.19	12.78	\$4,482
GS-2060-N1	60	230V 3 PH	230V 3 PH	183	43.50	18.19	12.78	\$4,871
GS-2075-N1	75	230V 3 PH	230V 3 PH	224	43.50	18.19	12.78	\$5,066
GS-2100-N1	100	230V 3 PH	230V 3 PH	300	51.38	23.70	15.02	\$6,820
460V Class: Three-phase Input, Three-phase Output								
GS-4100-N1	100	460V, 3 PH	460V, 3 PH	165	37.20	13.86	12.78	\$5,061
GS-4125-N1	125	460V, 3 PH	460V, 3 PH	192	43.50	18.19	12.78	\$5,471
GS-4150-N1	150	460V, 3 PH	460V, 3 PH	224	43.50	18.19	12.78	\$6,375
GS-4200-N1	200	460V, 3 PH	460V, 3 PH	300	51.38	23.70	15.02	\$8,916
GS-4250-N1	250	460V, 3 PH	460V, 3 PH	340	51.38	23.70	15.02	\$11,328
GS-4300-N1	300	460V, 3 PH	460V, 3 PH	450	52.36	28.74	15.04	\$14,257
GS-4400-N1	400	460V, 3 PH	460V, 3 PH	600	52.36	28.74	15.04	\$18,737

Accessories	Price
JNEP-16 Remote Operator with Analog Hz meter, potentiometer, Run/Stop switch, and momentary control switch	\$72
JNEP-34 Spare LCD Digital Keypad Operator for 7200GS	\$110
GS-CBL-1 1 Meter extension cable with blank operator (no interface)	\$20
GS-CBL-3 3 Meter extension cable with blank operator (no interface)	\$26
IFD6500 Delta Communication Interface, USB-to-RS485 converter	\$43
FM-POT6 22mm potentiometer, 10kΩ, knob operator, NEMA 4X, IP66, includes 1-10 scale legend plate	\$34

Connection Diagram

