

LOAD BREAK DISCONNECTS

Ensto Origin is a complete line of traditional, reliable manual motor controllers and local disconnect switches. The Ensto Origin line of small industrial switches has been private-labeled by major corporations worldwide, and has demonstrated its rugged reliability in thousands of applications – with a wide variety of mounting configurations. The Ensto load break switches have the following features:

- 3 pole rotary switches, with nominal currents of 40 A to 100 A
- UL 508 certified as manual motor controllers suitable as motor disconnects.
- Direct or through-door actuation
- Wide range of accessories including handles, shafts and mounting options
- Changeover mechanism available for ideal for applications where a circuit needs to be in the "off" position while being worked on and power transferred to another circuit, or for reversing the direction of a machine.
- 35mm DIN-rail mounting or panel mounting
- Non-defeatable rotary handles rated NEMA 4, 4x and available in black or red/yellow



Part Number	KSR3.40	KSR3.60	KSR3.80	KSR3.100
Price	\$20	\$23	\$35	\$43
Rated Voltage	600 VAC	480 VAC	600 VAC	480 VAC
Resistive Amperage (AC1)	40A	60A	80A	100A
Full Load Amperage (AC3)	27A	34A	54A	68A
Locked Rotor Amperage (AC3)	146A	194A	337A	412A
UL HP Rating				
Single-phase				
120VAC	2	2	3	5
240VAC	3	5	10	15
Three-phase NEMA design B, C, D				
200VAC	7.5	10	15	20
240VAC	7.5	10	20	25
480VAC	20	25	40	50
600VAC	25		50	
Three-phase NEMA design E				
200VAC	5	5	10	15
240VAC	5	7.5	15	15
480VAC	10	15	30	40
600VAC	15		40	
Terminal Specifications				
Wire size, stranded	#14 - #4AWG	#14 - #4AWG	#14 - #1AWG	#14 - #1AWG
Tightening torque	35 ft-lbs.	35 ft-lbs.	50 ft-lbs.	50 ft-lbs.
Short circuit rating with line-side fuses (Fuse type RK5)				
Available current	10kA	10kA	10kA	10kA
Maximum voltage	600 VAC	480 VAC	600 VAC	480 VAC
Maximum fuse	100A	100A	150A	150A

Accessories

Shafts	Description	Price
KK31.100C	100MM (3.94") shaft with brass collar	\$4.00
KK31.200C	200MM (7.87") shaft with brass collar	\$5.50
KK31.305C	305MM (12") shaft with brass collar	\$6.00
Handles		
KSH48B	BLACK / BLACK, NEMA 4/4X	\$8.00
KSH48RY	YELLOW / RED, NEMA 4/4X	\$8.00
KSH75	BLACK PISTOL, NEMA 4/4X	\$29.00
KSH75RY	YELLOW / RED PISTOL, NEMA 4/4X	\$29.00
PMR250	Direct Mount Knob - BLACK	\$3
PMR250R	Direct Mount Knob - RED	\$3
Miscellaneous		
KSRD3	Direct Door Mount Kit, short shaft and all mounting hardware included	\$8.00
KK102.712/UC	Changeover Mechanism, includes shafts (2-50mm, 1-120mm) and black pistol handle (KSH75), REQUIRES 2 DISCONNECTS SOLD SEPARATELY	\$45
KK102.7RY12/UC	Changeover Mechanism, includes shafts (2-50mm, 1-120mm) and red/yellow pistol handle (KSH75RY), REQUIRES 2 DISCONNECTS SOLD SEPARATELY	\$45

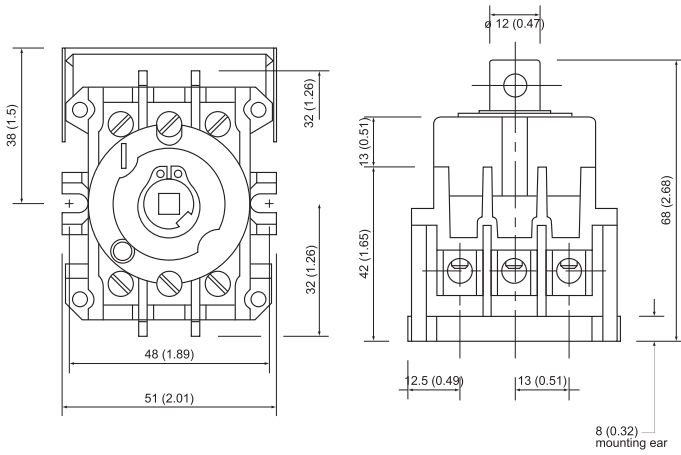
To order call **1.800.972.0436** or visit **factorymation.com**

No Games, No Gimmicks...

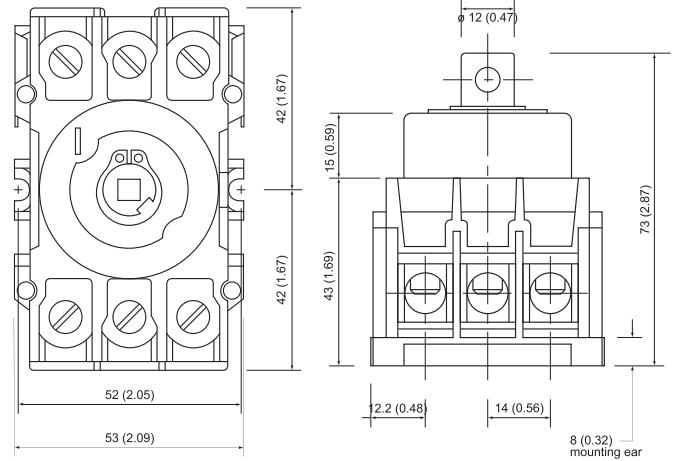
...Just Great Products at Great Prices!!!

Load Break Disconnect Dimensions

KSR 3.40/U and KSR 3.60 U



KSR 3.80/U and KSR 3.100/U



ENCLOSED DISCONNECTS

Ensto enclosed disconnects are UL Listed (UL508) assemblies of Ensto Cubo series enclosures. The enclosures are manufactured of high-quality, impact resistant polycarbonate, which is electrically insulating, halogen-free, glass fiber filled, and easily workable (drill, saw or hole punch). Ensto enclosed controllers and local disconnects are UV resistant outdoor rated assemblies, and they are triple padlockable.

from
\$55

- 3 pole rotary switches, with nominal currents of 40 A to 100 A
- UL 508 certified as manual motor controllers suitable as motor disconnects.
- Assemblies rated UL and NEMA Types 4, 4X, 12, 13
- Non-defeatable rotary handles



Part Number	KKCSA13.20JSR/U	KKCSE3.30JDR/U	KKCSU3.60JDR/U	KKCSN3.100JDR/U	
Price	\$55.00	\$68.00	\$114.00	\$148.00	
Rated Voltage	480 VAC	600 VAC	600 VAC	480 VAC	
Resistive Amperage (AC1)	20A	30A	60A	100A	
Full Load Amperage (AC3)	15.2A	26A	52A	68A	
Locked Rotor Amperage (AC3)	92A	146A	337A	412A	
UL HP Rating					
Single-phase	120VAC	0.75	2	3	5
	200VAC	2	3	7.5	10
	240VAC	2	3	10	15
	480VAC	5	7.5	20	30
	600VAC	-	10	25	-
Three-phase	120VAC	1.5	2	2	2
	200VAC	3	7.5	15	20
	240VAC	5	7.5	15	25
	480VAC	10	15	40	50
	600VAC	-	20	50	-
Handle/Color	Red/Yellow	Red/Yellow	Red/Yellow	Red/Yellow	
Dimensions (WxHxD)	2.95x4.92x3.94"	4.92x6.89x3.94"	6.30x9.45x4.76"	7.87x11.81x5.20"	



FREE Ground Shipping!*
for online orders over \$500

