

# TOOLS

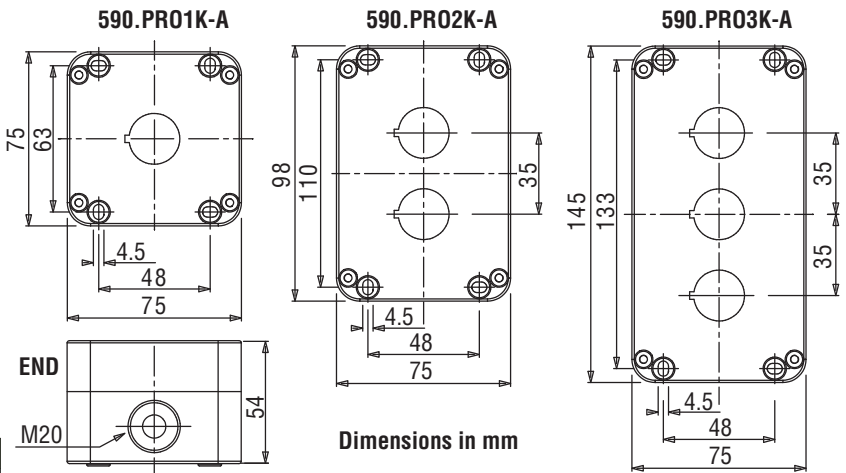


Part Number	Description	Price
<b>Wire Cutting/Stripping</b>		
45000	Kwik Stripper® Wire Stripper, 28-10 AWG (.08-6mm²) stripping capacity	\$53
1950	Pro Wire Stripper, 10-18 AWG solid, 12-20 AWG stranded	\$13
1951	Pro Wire Stripper, 22-32 AWG solid, 20-30 AWG stranded	\$13
1900	Greenlee Cable Stripper, 3/16" to 1-1/8" Diameter, 8 AWG-600 KCMIL	\$42
07915	Wire Stripper, Replacement Blade. For Pocket Cable Stripper 1900	\$10
PT-K01	Electrician's Scissors and Knife Kit with Two-Pocket Pouch	\$30
727	Cable Cutter, 2/0 (70 mm²) capacity	\$22
45482	Cable Cutter, 8 AWG (10 mm²) capacity	\$17
<b>Screwdrivers</b>		
56325	Greenlee 6-Piece Insulated Screwdriver Set, 3/32" x 3", 5/32" x 4", 7/32" x 5", 1/4" x 6", #1 x 3-1/8" & #2 x 4"	\$67
56326	Tri-Grip® Insulated Screwdriver, Insulated, 1000 VAC, Slotted, 3/32"	\$11
56327	Tri-Grip® Insulated Screwdriver, Insulated, 1000 VAC, Slotted, 5/32"	\$11.75
56328	Tri-Grip® Insulated Screwdriver, Insulated, 1000 VAC, Slotted, 7/32"	\$11.75
56329	Tri-Grip® Insulated Screwdriver, Insulated, 1000 VAC, Slotted, 1/4"	\$12
56332	Tri-Grip® Insulated Screwdriver, Insulated, 1000 VAC, Phillips, #1	\$11.25
56333	Tri-Grip® Insulated Screwdriver, Insulated, 1000 VAC, Phillips, #2	\$12
<b>Hole Making</b>		
DTAPKIT	6-piece Combination Drill / Tap Kit, 6-32 to 1/4-20. Kit includes: 6 Drill/Tap Bits (6-32UNC, 8-32UNC, 10-24UNC, 10-32UNF, 1/4-20UNC, and 12-24UNC) and 1/4" Ball Lock Adapter	\$26
03607	Kwik Stepper® Step Bit Kit, holes from 1/8" through 7/8". Kit includes: 1/2" Multi-hole step bit, 7/8" Multi-hole step bit, and plastic case	\$64
<b>Tool Bags</b>		
56336	GREENLEE 11" Cordura Open Tool Carrier	\$79
56335	Greenlee Tool Bag, 16" x 12" x 9" (406 x 305 x 229 mm)	\$42
46500	Pocket-Light Flashlight	\$14

## PLASTIC ENCLOSURES 22mm Pushbutton Models



- 22mm pushbutton enclosures in 1, 2, and 3 hole models
- Made of self-extinguishing, Thermoplastic ABS material with total insulation
- IP65 Degree of Protection
- M20 moulded cable knockouts



Part Number	Description	Price
590.PRO1K-A	Pushbutton enclosure, 1-hole	\$7
590.PRO2K-A	Pushbutton enclosure, 2-hole	\$10
590.PRO3K-A	Pushbutton enclosure, 3-hole	\$12
MGB20-10B-ST	M20 cord grip, includes seal ring and nut	\$1.25

Note: WEG legend plates can be used for horizontal mounting only. Enclosures to only be used with single-deep contact blocks. Not compatible with D7P-POT6, AF5, BC11, BC20, and BR 22mm devices.

**FREE Ground Shipping!\***  
for online orders over \$500

