

# POWER DISTRIBUTION BLOCKS



### Finger-Safe

Fully insulated block ensures that no one can touch live parts. Recessed termination screws and wire openings provide IP20 grade protection and qualify as "finger-safe" per IEC 529.

### Compact Modularity

Single or multiple pole configurations in the most compact footprint. Allows users to build smaller or higher density panels.

### Snap on DIN Rail Mounting

Sizes 1 to 4 feature integral DIN rail adapters allowing for quick and easy installations on 35mm DIN rail yielding lower installed costs.

### Captive Termination Screws

Unique channel design ensures captive metric wire termination screws. Screws can never be lost.

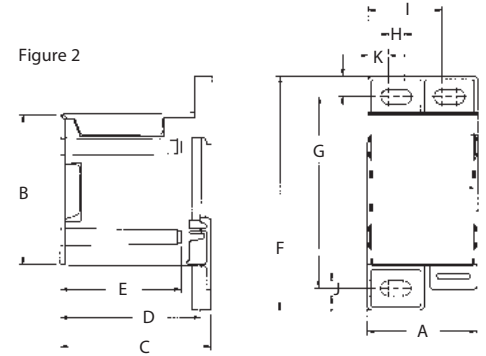
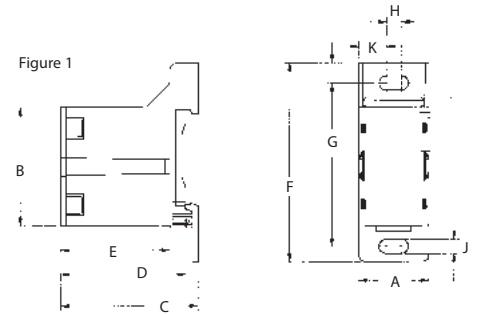
### Available Accessories

For multi-pole panel mounting, simply snap in pins for rigid fit. Cap plugs provide the ability to maintain touch safety on unused openings. Circuit identification markers simply snap into blocks to ID circuits. End anchors provide rigid end stops.

Part Number	Ampere Rating	Line Side	Load Side	Pc/Pkg	Price
FSPDB1A	175	1 pole 2/0AWG - 14AWG	1 pole 2/0AWG - 14AWG	3	<b>\$33</b>
FSPDB2A	175	1 pole 2/0AWG - 14AWG	1 pole (4 openings) 2AWG - 14AWG	3	<b>\$42</b>
FSPDB3A	310	1 pole (2 openings) 2/0AWG - 14AWG and 350kmcil - 14AWG	1 pole (8 openings) 2AWG - 14AWG	3	<b>\$93</b>
FSPDB4A	335	1 pole 400kmcil - 6AWG	1 pole 400kmcil - 6AWG	3	<b>\$78</b>
FSPDB5A	840	1 pole 600kmcil - 4AWG	1 pole 600kmcil - 4AWG	3	<b>\$174</b>
Accessories				Pc/Pkg	Price
FSPIN1	Accessory Pin to connect multiple blocks			1	<b>\$1</b>
FSCAP1	Cap Plug to cover 2/0AWG openings			1	<b>\$2</b>
FSCAP2	Cap Plug to cover 350kmcil openings			1	<b>\$2</b>
FSCIM1	Circuit Identification Marker for 2/0AWG and 2AWG max conductors			1	<b>\$6</b>
FSCIM2	Circuit Identification Marker for 350kmcil, 400kmcil and 600kmcil max conductors			1	<b>\$6</b>
FSEA	End Anchors for DIN rail mounting			2	<b>\$24</b>

## Dimensions

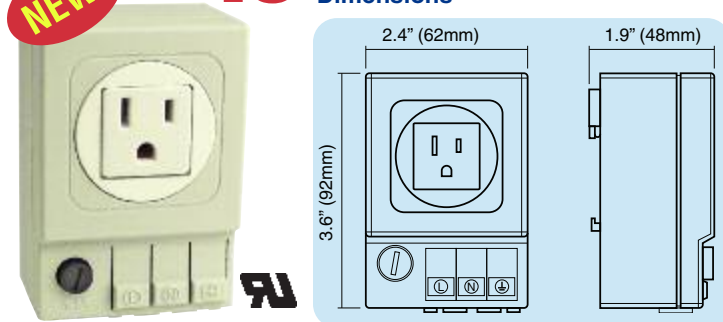
Part Number	FSPDB1A		FSPDB2A		FSPDB3A		FSPDB4A		FSPDB5A	
	Figure 1		Figure 1		Figure 2		Figure 1		Figure 2	
Dimension	mm	in	mm	in	mm	in	mm	in	mm	in
A	25.4	1.00	28.4	1.12	46.9	1.85	39	1.54	72	2.84
B	43.3	1.70	57.8	2.28	64.3	2.53	108	4.25	91	3.58
C	49.5	1.95	56.0	2.21	64.3	2.53	80	3.15	80	3.15
D	45.1	1.78	51.6	2.03	59.8	2.36	75.5	2.97	-	-
E	39.4	1.55	39.4	1.55	51.5	2.03	50.1	1.97	50.1	1.97
F	72.6	2.86	87.7	3.45	100.8	3.97	145.5	5.73	145	5.71
G	59.6	2.35	74.6	2.94	82.4	3.24	120.6	4.75	127.5	5.02
H	5.3	0.21	5.1	0.20	6.5	0.26	7	0.28	3	0.12
I	-	-	-	-	31.5	1.24	-	-	52	2.04
J	5.3	0.21	6.4	0.25	6.5	0.26	6.5	0.26	6.5	0.26
K	10	0.40	11.7	0.46	8.9	0.35	16	0.63	8.5	0.34



## DIN Rail Convenience Receptacle

from **\$19**

### Dimensions



Part Number	Operating Voltage	Fusing	Nominal Current	Price
03504.0-01	125VAC	none provided	15.0A	<b>\$19</b>
03504.0-00	125VAC	6.3A, time delay, 5mm x 20mm, included*	6.3A	<b>\$21</b>

\*Replacement fuse: GDG6-3/10

## General Specifications

Connection	3 cage clamps for solid or stranded wire
Wire Size	AWG 20-14 (0.5-2.5mm <sup>2</sup> )
Housing	Plastic, UL94 V-0, light grey
Mounting	Clip for 35mm DIN rail, EN 60 715
Operating / Storage Temp.	-49 to +158°F (-45 to 70°C)
Dimensions	3.6 x 2.4 x 1.9" (92 x 62 x 48mm)
Weight	Approx. 7.1 oz. (200g)
Protection type	IP20
Approvals	UL File No. E222026

To order call **1.800.972.0436** or visit **factorymation.com**

No Games, No Gimmicks...

...Just Great Products at Great Prices!!!