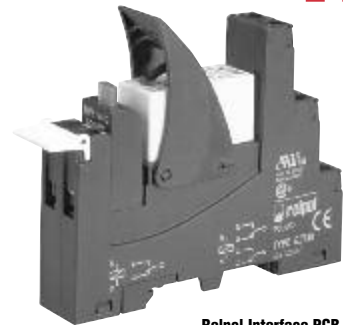


Interface PCB Relays



from **\$11**



Relpol Interface PCB Relay comes completely assembled



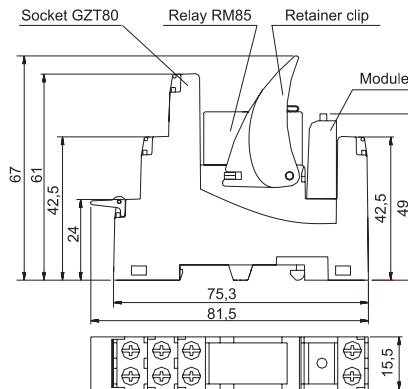
The Relpol PI84/PI85 Interface PCB Relays offer a unique design for high current applications. The low current input and power consumption with load capabilities of high current switching is ideal for limited input sources and panel space savings.

- DIN-rail mount narrow profile saves panel space
- 24VDC and 120V AC models
- SPDT and DPDT models
- Contacts rated @ 20 million cycles

A full featured model in one small package

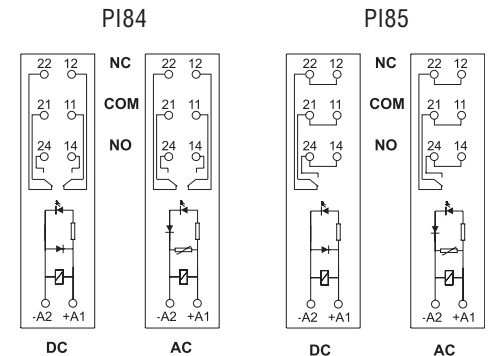
The PI84/PI85 interface PCB relays are offered as a complete package which includes the following five factory installed pieces:

1. PCB relay
2. Relay socket
3. LED position indicator
4. Retainer clip
5. Description plate



Low input current, high switching capabilities

The PI84 interface PCB relay rated at 8 amps resistive @250VAC and available in a DPDT (2 form-C contacts). The PI85 rated at 16 amps resistive @250VAC and available in a SPDT (1 form-C contact). The coil power consumption is approximately 750mW AC or 480mW DC.

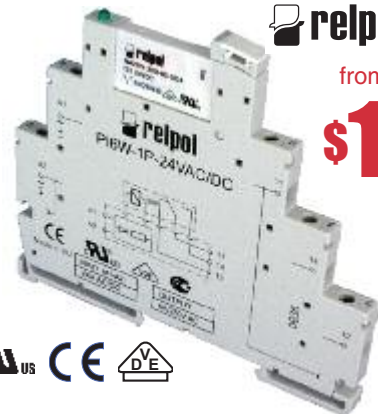


Part Number	Contact Rating	Coil Voltage	Contacts	Coil Resistance	Price	Replacement PCB Relay	Price
PI84-24DC-M41G	8A@250VAC	24VDC	DPDT	1,440Ω	\$11	RM84-2012-25-1024	\$7
PI84-120AC-M93G	8A@24VDC	120VAC	DPDT	10,200Ω	\$14	RM84-2012-25-5120	\$7
PI85-24DC-M41G	16A@250VAC	24VDC	SPDT	1,440Ω	\$11	RM85-2011-25-1024	\$7
PI85-120AC-M93G	16A@24VDC	120VAC	SPDT	10,200Ω	\$13	RM85-2011-25-5120	\$7

Terminal Block Relays



from **\$12**

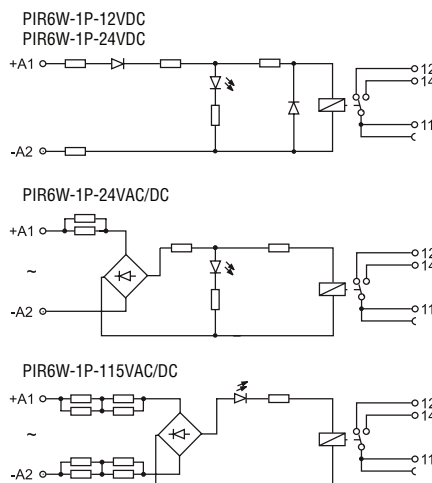


At only 6.2mm wide, the PIR6W Series Terminal Block Relays are perfect for applications requiring high-density interposing relays. The PIR6W slim interface relays are offered as a complete package with the following features:

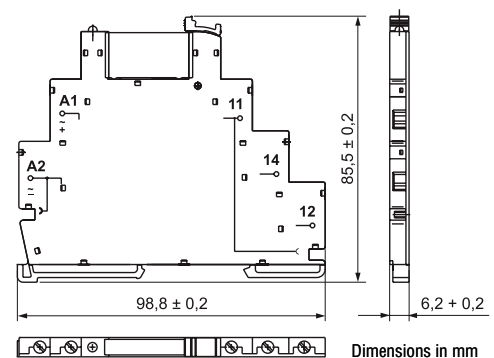
- Changeover relay, rated load 6 A / 230 V (AC1)
- Slim DIN-rail mount socket with built-in LED position indicator
- Description plate
- Optional jumpers available for bridging outputs or inputs and greatly reducing wiring time

Part Number	Contact Rating	Coil Voltage	Contacts	Power Consumption	Price	Replacement PCB Relay	Price
PIR6W-1P-12VDC	6A@230VAC 6A@24VDC	12VDC	SPDT	0.35W	\$12	RM699BV-3011-85-1012	\$7
PIR6W-1P-24VDC		24VDC	SPDT	0.35W	\$12	RM699BV-3011-85-1024	\$7
PIR6W-1P-24VAC/DC		24V AC/DC	SPDT	0.4 VA / 0.4 W	\$13	RM699BV-3011-85-1024	\$7
PIR6W-1P-115VAC/DC		115V AC/DC	SPDT	1.0VA / 1.0W	\$14	RM699BV-3011-85-1024	\$7
Jumpers							
ZG20-1	20-Way Jumper, can be cut to required length, 36A max per jumper, RED						\$4
ZG20-2	20-Way Jumper, can be cut to required length, 36A max per jumper, BLACK						\$4
ZG20-3	20-Way Jumper, can be cut to required length, 36A max per jumper, BLUE						\$4

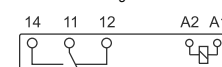
Wiring



Dimensions



Connection Diagram



FREE Ground Shipping!* for online orders over \$500

