

# SOFT STARTERS

Starting from  
**\$603**



(Shown with optional keypad)

5 - 200 HP



## SSW07 Series

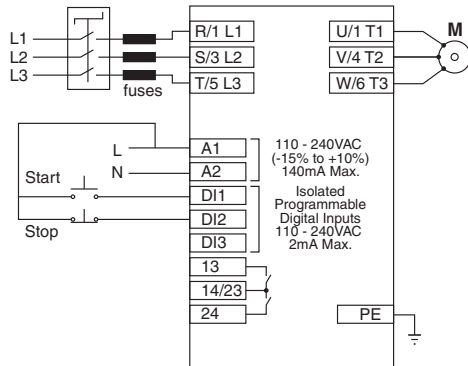
WEG SSW07 Soft Starters control the acceleration and deceleration of 3-phase induction motors by controlling the voltage applied to the motor. The Weg Soft Starter is easy to set up and it incorporates features that protect the motor and the machinery it drives. An optional keypad, communication interface or motor PTC input can be added to meet the requirements of the application.

### Standard Features

- 5 to 200HP
- Universal voltage (220 to 575 VAC)
- 17 to 200 Amps
- Protected Chassis Enclosure
- Built-in bypass contactor
- Significant reduction of mechanical stresses on coupling and transmission devices (gearboxes, pulleys, gears, conveyors, etc.) during start
- Avoids the "water hammer" in pumps
- Operates in environments up to 55°C (with no derating)
- Integrated electronic motor protection

### Wiring

220-575VAC 50/60Hz



Model Number	UL HP Rating			Nominal Amps	Dimensions (in.)			Price
	220/230V 3-ph	440/460V 3-ph	575V 3-ph		H	W	D	
SSW070017T5SZ	5	12.5	15	17	6.38	3.74	6.18	\$603
SSW070024T5SZ	7.5	15	20	24	6.38	3.74	6.18	\$647
SSW070030T5SZ	10	20	30	30	6.38	3.74	6.18	\$667
SSW070045T5SZ	15	30	40	45	8.2	5.57	7.94	\$761
SSW070061T5SZ	20	50	60	61	8.2	5.57	7.94	\$858
SSW070085T5SZ	30	60	75	85	8.2	5.57	7.94	\$1,038
SSW070130T5SZ	50	100	125	130	10.9	8.6	8.66	\$1,303
SSW070171T5SZ	60	125	175	171	10.9	8.6	8.66	\$1,655
SSW070200T5SZ	75	150	200	200	10.9	8.6	8.66	\$1,962

### Accessories

Part Number	Description	Price
<b>Keypads</b>		
HMI-LOCAL-SSW07	Optional Digital Keypad (fits option slot on face of housing)	\$94
HMI-REMOTE-SSW07	Remote Keypad Kit (includes remote mounting keypad and mounting hardware; for IP-54 or NEMA 12 applications; requires remote keypad cable, listed below)	\$183
<b>Keypad Cables</b>		
CAB-RS-1	Remote Keypad Cable 3.3ft.	\$12
CAB-RS-2	Remote Keypad Cable 6.6ft.	\$16
CAB-RS-3	Remote Keypad Cable 10ft.	\$21
CAB-RS-5	Remote Keypad Cable 16ft.	\$27
CAB-RS-7.5	Remote Keypad Cable 25ft.	\$32
CAB-RS-10	Remote Keypad Cable 33ft.	\$38
<b>Communications</b>		
KRS-232-SSW07	RS-232 Modbus Communication Module	\$65
KRS-485-SSW07	RS-485 Modbus Communication Module	\$108
CAB-COMM-3	Cable for RS-232 Communication Kit (DB9-DB9) - 3m	\$39
CAB-COMM-10	Cable for RS-485 Communication Kit (DB9-DB9) - 10m	\$85
<b>Kits</b>		
SSW07-VENT KIT-M2	Ventilation Kit M2 (Frame Size 2; 45 - 85A)	\$27
SSW07-VENT KIT-M3	Ventilation Kit M3 (Frame Size 3; 130 - 200A)	\$51
KIT-PTC-SSW07-MOTOR	PTC Module for Monitoring Motor Thermistor	\$66
KIT-IP20-SSW07	IP20 Terminal Covers for M3 (Frame Size 3, 130 - 200A)	\$33
KSDG2-SSW07	Superdrive G2 Kit (KRS-232-SSW07+ CAB-COMM-3 + CD-Software)	\$121
<b>Lug Kit (includes input and output lugs)</b>		
SSW07-LK130-200	SSW07- Lug Kit - Size 3 (130 - 200A)	\$87

### General Specifications

<b>Power Source Voltage</b>	220 to 575 VAC
<b>Power Source Frequency</b>	50 / 60 Hz (+/- 10%) or 45 - 66 Hz
<b>Control Voltage</b>	110 to 240VAC (-15% to +10%), or 94 to 264 VAC
<b>Enclosure</b>	Plastic; IP20 in models from 17 to 85A Plastic; P00 in models from 130 to 200A (IP20 as option)
<b>Control Method</b>	Voltage variation over the load (three-phase induction motor)
<b>Starting Duty Cycle (10 Starts / Hr)</b>	300% (3 x I <sub>nom</sub> ) during 30s (10 starts per hour) [Requires Ventilation Kit for Sizes 45A to 200A]
<b>Inputs (Digital)</b>	3 Isolated Programmable Inputs
<b>Relay Outputs</b>	2 relays with NO contacts, 240VAC, 1A, programmable functions
<b>Communication (Serial)</b>	RS-232
<b>Safety / Protections</b>	Undercurrent, Programming Error, Current Imbalance, Serial Communication Error, Subcurrent Before Bypass, MMI Communication Error, External Defects, Overtemperature in Motor PTC, Locked Rotor, Excess Starting Time, Frequency Outside Tolerance, By-Pass Contact Open, Undervoltage in Control Supply, Motor Overload (class 5 to 30)
<b>Standard Features</b>	Voltage Ramp (Initial Voltage: 30% to 90%), Current Limitation (150% to 450% of SSW07 Rated Current), Starting Time (1 to 40s), Kick Start (Off - 0.2 to 2 sec), Deceleration Ramp (0 to 40s), Motor and Current Relation (50% to 100%), Faults Auto Reset, Thermal Memory Auto Reset, Factory Standard Reset, Soft Starter Built-In By-Pass
<b>Programming Commands</b>	On, Off / Reset and Parameterization (function Programming)
<b>Display Readings</b>	Motor Current (%Soft-Starter In), Soft-Starter Status, Motor Current (%Motor In), Digital Input and Output Status, Motor Current (A), Back Up of 4 Last Errors, Current Indication in each Phase R-S-T, Soft-Starter Software Version, Supply Network Frequency, Heatsink Temperature, Apparent Power Supplied to Load (kVA), Motor Thermal Protection Status
<b>Ambient Temperature</b>	0 - 55°C (32 - 131°F) Standard Operation at Rated Current
<b>Humidity</b>	0 - 90%, Non Condensing
<b>Altitude</b>	0 - 1000 m (3,300 ft) Standard Operation at Rated Current
<b>Standards</b>	UL 508 Standard - Industrial Control Equipment

# SSW06 Series Soft Starter



**NEW!**



Starting from

**\$1,444**



25 - 1500 HP

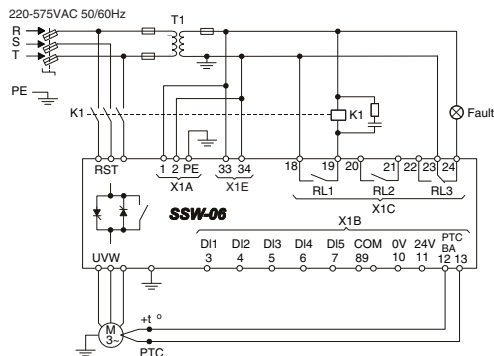
## SSW06 Series Soft Starter

The SSW06 Soft Starter reduces torque in the powertrain by controlling the voltage delivered to the motor during startup. A high visibility LED display makes it easy to read the motor status from a distance. The keypad provides start, stop, and reset controls, as well as the programming interface. Integral bypass contacts are engaged once the motor is at full voltage. This removes the SCRs from the motor control circuit and eliminates most of the power loss and heat dissipation.

### Standard Features

- 25 to 1500 HP
- Universal voltage input (220 to 575 V)
- Built-in bypass contactor
- LCD keypad
- Removable HMI with LED and LCD display
- Kick-Start function for high inertia loads
- Electronic motor protection
- Ambient temperature up to 55° C (131° F)

### Wiring



Model Number	UL HP Rating			Nominal Amps	Dimensions (in.)			Price
	230V 3-ph	460V 3-ph	575V 3-ph		H	W	D	
SSW060085T2257ESZ	25/30	50/60	75	85	14.6	5.2	9.6	\$1,444
SSW060130T2257ESZ	50	75/100	125	130	14.6	5.2	9.6	\$1,848
SSW060170T2257ESZ	60	125	150	170	17.3	8.8	11.0	\$2,225
SSW060205T2257ESZ	75	150	200	205	17.3	8.8	11.0	\$2,789
SSW060255T2257ESZ	100	200	250	255	21.6	14.6	12.3	\$3,745
SSW060312T2257ESZ	125	250	300	312	21.6	14.6	12.3	\$4,114
SSW060365T2257ESZ	150	300	350	365	21.6	14.6	12.3	\$4,543
SSW060412T2257ESZ	150	350	450	412	26	15	14	\$4,931
SSW060480T2257ESZ	200	400	500	480	26	15	14	\$5,655
SSW060604T2257ESZ	250	500	650	604	32	22	15	\$6,307
SSW060670T2257ESZ*	250	550	750	670	32	22	15	\$7,173*
SSW060820T2257ESZ*	350	700	850	820	32	22	15	\$8,472*
SSW060950T2257ESH1Z*	400	800	1050	950	36	23	14	\$12,820*
SSW060950T2257ESH2Z*	400	800	1050	950	36	23	14	\$12,820*
SSW061100T2257ESH2Z*	450	900	1200	1100	49	27	18	\$16,078*
SSW061400T2257ESH2Z*	550	1200	1500	1400	49	27	18	\$20,664*

\*Allow 9 week lead time

### Accessories

Part Number	Description	Price
<b>Keypads and Cables</b>		
HMI-SSW06-LCD	Standard Keypad with LED & LCD	\$109
KMR-SSW06	Remote Keypad Frame Kit	\$34
CAB-HMI-SSW06-1	Remote Keypad Cable 3.3ft.	\$18
CAB-HMI-SSW06-2	Remote Keypad Cable 6.6ft.	\$21
CAB-HMI-SSW06-3	Remote Keypad Cable 10ft.	\$24
CAB-HMI-SSW06-5	Remote Keypad Cable 16ft.	\$37
<b>Communications</b>		
KRS-485-SSW06	RS-485 Modbus Communication Module	\$102
<b>IP20 Kits</b>		
KIT IP20 SSW06 M2	SSW06 IP20 Terminal Covers - Size 2 (85 - 130A)	\$113
KIT IP20 SSW06 M3	SSW06 IP20 Terminal Covers - Size 3 (170 - 205A)	\$127
KIT IP20 SSW06 M4	SSW06 IP20 Terminal Covers - Size 4 (255 - 365A)	\$137
<b>Lug Kit</b>		
SSW06-LK085-130	SSW06- Lug Kit - Size 2 (85 - 130A) includes input and output lugs	\$53
SSW06-LK170-205	SSW06- Lug Kit - Size 3 (170 - 205A) includes input and output lugs	\$87
SSW06-LK255-365	SSW06- Lug Kit - Size 4 (255 - 365A) includes input and output lugs	\$158

### Specifications

<b>Power Source Voltage</b>	220 to 575 VAC (+10%, -15%)
<b>Power Source Frequency</b>	50 / 60 Hz (+/- 10%) or 45 - 66 Hz )
<b>Control Voltage</b>	110 to 230VAC (-15% to +10%), or 94 to 264 VAC
<b>Enclosure</b>	Metal; IP00
<b>Control Method</b>	Voltage Ramp, Current Limit, or Pump Control
<b>Starting Duty Cycle</b>	300% of rated output for 30s (10 starts per hour maximum)
<b>Inputs (Digital)</b>	5 (24VDC) Isolated Programmable Inputs
<b>Relay Outputs</b>	2 relays with NO contacts, 250VAC, 1A, programmable functions 1 relay with NO + NC contacts, 250VAC, 1A, programmable functions
<b>Analog Outputs</b>	1 programmable output (11 bits): 0-10VDC 1 programmable output (11 bits): 0-20mA or 4-20mA
<b>Communication (Serial)</b>	Standard: RS-232; Optional: RS-485
<b>Safety / Protective Features</b>	Under voltage, phase fault, phase imbalance; over temperature; motor overload (I <sup>2</sup> t); external fault; copy function error; motor not connected; over voltage; programming error; communication error; keypad connection error; motor over current; motor over temperature (via thermistor input); self diagnosis error; excess current limit time; motor locked rotor; motor over/under current; current imbalance; power source frequency out of range; bypass contactor status; phase sequence
<b>Standard Features</b>	Built-in operator interface; local/remote operation; pump control function; copy function; integral bypass contactor; RS-232 interface; motor thermistor input; programmable: line voltage, initial voltage, accel/decel ramp, starting current limit, starting current limit and immediate under/over current limits, torque boost, motor O/L protection class, service factor
<b>Keypad Commands</b>	Start, Stop, Reset, and Programming Increase and Decrease Parameters
<b>Display Readings</b>	Soft-starter output current; motor current; line frequency (Hz); line voltage, soft-starter output voltage; active power (kW); apparent power (kVA); power factor; four last faults; firmware version; motor thermal protection; motor current indication for each phase
<b>Ambient Temperature</b>	0 - 55°C (32 - 131°F) Standard Operation at Rated Current
<b>Humidity</b>	0 - 90%, Non Condensing
<b>Altitude</b>	0 - 1000 m (3,300 ft) Standard Operation at Rated Current
<b>Standards</b>	UL 508 Standard - Industrial Control Equipment



**FREE Ground Shipping!**  
for online orders over \$500



