

# TOWER STACK LIGHTS



The SIGNAL50 Tower Stack Lights from J. Auer offer more features, approvals and options than any other major stack light brand. The 50mm series is compact, flexible, rugged, and easy to assemble.

The light modules and bases are made of heavy duty polycarbonate and meet UL Type 4, 4X, 13 and IP65 guidelines for use indoors or out.

Each light module has a bayonet locking system and finger protection that allows it to be "hot swapped" if necessary. This feature allows a bulb to be changed without disassembling the entire tower. When the tower is reassembled, all modules are powered again, automatically.

## Features

- Finger-safe bayonet locking system with optional set screws
- Heavy duty polycarbonate lenses, bases, and caps
- UL Type 4 / 4X / 13 and IP65 environmental ratings
- Four voltages available: 12 & 24V AC/DC and 120V & 240V AC
- Five types of illumination: steady incandescent, flashing incandescent, steady LED, flashing LED, and Xenon strobe
- Lenses available in six colors
- Single or dual tone sound module available
- Twist and release modules can be removed and replaced under power
- Horizontal and vertical surface mount bases are available
- Seven sizes of pole mount bases are available (5cm to 80cm)

## General Specifications

Protection Class - All modules	IP65/Type 4, 4X, 13
Operating Temperature	-25...+50°C (-13...+122°F)
Storage Temperature	-40...+85°C (-40...+185°F)
Materials	
Bases, caps, module housings	Polycarbonate (94 V-0)
Lenses and lamp sockets	Polycarbonate (94 V-2)
Rubber seals and gaskets	Nitrile Rubber
Pole	Aluminum
Pole Base Footing	Glass-Filled Nylon 66
Conduit	Polystyrene/Polyphenylene Ether Blend
Mounting screw washers	Polypropylene

### 1. Select a Mounting Base

Choose from vertical or horizontal surface mount bases or one of seven sizes of pole mount bases. Bases include: Electrical connection base, mounting pole (if applicable), foot adapter (if applicable), and tower cap.

### 2. Select Light & Sound Modules

Choose from steady light modules, flashing light modules, xenon strobe light modules, and sound modules. Mount up to five light modules, four light modules and a single-tone sound module, or three light modules and a dual-tone sound module per base. Light modules are available in the colors of Amber, Red, Clear, Blue, Green, and Yellow.

### 3. Select Lamp Options

The incandescent and LED light bulbs are compatible with the steady or flashing light modules. If using LED bulbs, be sure to match the lens color of the light module to the emitting color of the LED bulb.

Bulbs are available in 12V AC/DC, 24V AC/DC, 120V AC, and 240V AC versions.



## 1 Mounting Bases

### Surface mount bases

Surface mount bases include:

1. Electrical connection base
2. Tower cap
3. Sealing gasket



### Pole mount bases

Pole mounting bases include:

1. Electrical connection base
2. Mounting pole
3. Foot adapter
4. Tower cap
5. Sealing gasket



Part Number	Description	Price
790-530-900	Surface Mount Base, Horizontal surface (1/2" NPT threaded hole in bottom)	\$27
790-540-900	Surface Mount Base, Vertical surface	\$32
790-541-900	Pole Mount Base, Aluminum, 5cm (1.97")	\$46
790-542-900	Pole Mount Base, Aluminum, 10cm (3.94")	\$46
790-543-900	Pole Mount Base, Aluminum, 25cm (9.84")	\$50
790-544-900	Pole Mount Base, Aluminum, 40cm (15.75")	\$54
790-545-900	Pole Mount Base, Aluminum, 50cm (19.69")	\$64
790-546-900	Pole Mount Base, Aluminum, 60cm (23.62")	\$64
790-547-900	Pole Mount Base, Aluminum, 80cm (31.50")	\$72

Environmental ratings: UL Type 4 / 4X / 13 and IP65



**FREE Ground Shipping!**  
for online orders over \$500



## 2 Light & Sound Modules

### Steady Light Modules

Warning/indicator lights are typically used to warn the operator or to indicate that a defined action shall be initiated. The colors RED, YELLOW, AMBER, GREEN and BLUE are usually used for this application. The colors BLUE and CLEAR/WHITE are usually used for confirming a sequence or status or to confirm the end of a change or at time of change. Bulbs sold separately.

**Note:** Steady Light Modules do not include bulbs.  
**Note:** If using LED bulbs, match the lens color of the light module to the emitting color of the LED bulb.

### Flashing Light Modules

Flashing signals are used for critical alerts or as additional information and to emphasize something specific.

Flashing signals are generally used for:

- Causing attention
- Prompting immediate action
- Indicating a difference between target and actual condition
- Indicating a process change (e.g. flashing while changing over)

Flashing light module features:

- 120 flashes per minute Turn ON/Turn OFF = 1:1
- Use with incandescent or LED bulbs (sold separately)

**Note:** Flashing Light Modules do not include bulbs.  
**Note:** If using LED bulbs, match the lens color of the light module to the emitting color of the LED bulb.

### Xenon Strobe Light Modules

Flashing signals are used for critical alerts or as additional information and to emphasize something specific. The strobe light modules offer the brightest signaling output, even in sunlit areas.

Strobe signals are particularly used for:

- Causing attention
- Prompting immediate action
- Indicating a difference between target condition and the actual condition
- Indicating a process change (strobe while changing over)

**Note:** Strobe Light Modules include a Xenon strobe lamp. No additional bulb is required.

Innovative design uses six conductive rods to carry common and V+ to each light/sound module while maintaining simple bayonet mounting.



### Steady Light Modules (bulb purchased separately)

Part Number	Lens Color	Voltage	Price
750-001-900	AMBER	Universal, 12 - 230V, AC / DC Incandescent or LED	\$24
750-002-900	RED		\$24
750-004-900	CLEAR		\$24
750-005-900	BLUE		\$24
750-006-900	GREEN		\$24
750-007-900	YELLOW		\$24

Environmental ratings: UL Type 4 / 4X / 13 and IP65  
 Voltage tolerances: ± 10%

### Flashing Light Modules (bulb purchased separately)

Part Number	Lens Color	Voltage	Price
760-001-405	AMBER	12 - 24V AC/DC	\$47
760-001-310	AMBER	120V AC	\$47
760-001-313	AMBER	240V AC	\$51
760-002-405	RED	12 - 24V AC/DC	\$47
760-002-310	RED	120V AC	\$47
760-002-313	RED	240V AC	\$51
760-004-405	CLEAR	12 - 24V AC/DC	\$47
760-004-310	CLEAR	120V AC	\$47
760-004-313	CLEAR	240V AC	\$51
760-005-405	BLUE	12 - 24V AC/DC	\$47
760-005-310	BLUE	120V AC	\$47
760-005-313	BLUE	240V AC	\$51
760-006-405	GREEN	12 - 24V AC/DC	\$47
760-006-310	GREEN	120V AC	\$47
760-006-313	GREEN	240V AC	\$51
760-007-405	YELLOW	12 - 24V AC/DC	\$47
760-007-310	YELLOW	120V AC	\$47
760-007-313	YELLOW	240V AC	\$51

\*Gray denotes special order

Environmental ratings: UL Type 4 / 4X / 13 and IP65  
 Voltage tolerances: ± 10%

### Xenon Strobe Modules (bulb included)

Part Number	Lens Color	Voltage	Light Output	Current Use	Flash Frequency	Lamp Life	Price
770-001-405	AMBER	12 - 24V AC/DC	1.5 Joules	95/60mA	84 per minute	15k hours (average, no vibration, continuous operation)	\$106
770-001-310	AMBER	120V AC	1.5 Joules	55mA			\$106
770-001-313	AMBER	240V AC	1.5 Joules	30mA			\$110
770-002-405	RED	12 - 24V AC/DC	1.5 Joules	95/60mA			\$106
770-002-310	RED	120V AC	1.5 Joules	55mA			\$106
770-002-313	RED	240V AC	1.5 Joules	30mA			\$110
770-004-405	CLEAR	12 - 24V AC/DC	1.5 Joules	95/60mA			\$106
770-004-310	CLEAR	120V AC	1.5 Joules	55mA			\$106
770-004-313	CLEAR	240V AC	1.5 Joules	30mA			\$110
770-005-405	BLUE	12 - 24V AC/DC	1.5 Joules	95/60mA			\$106
770-005-310	BLUE	120V AC	1.5 Joules	55mA			\$106
770-005-313	BLUE	240V AC	1.5 Joules	30mA			\$110
770-006-405	GREEN	12 - 24V AC/DC	1.5 Joules	95/60mA			\$106
770-006-310	GREEN	120V AC	1.5 Joules	55mA			\$106
770-006-313	GREEN	240V AC	1.5 Joules	30mA			\$110
770-007-405	YELLOW	12 - 24V AC/DC	1.5 Joules	95/60mA			\$106
770-007-310	YELLOW	120V AC	1.5 Joules	55mA			\$106
770-007-313	YELLOW	240V AC	1.5 Joules	30mA			\$110

\*Gray denotes special order

Environmental ratings: UL Type 4 / 4X / 13 and IP65  
 Voltage tolerances: ± 10%

## 2 Light & Sound Modules (cont'd)

### Single Circuit Sound Modules

Select either single tone or pulsing via internal DIP-switch. Low or high volume is also selectable.



### Dual Circuit Sound Module

Used in applications where two types of audible alert are required to indicate different levels of machine status. Single tone is activated by one circuit and pulsing tone by the second circuit. Low or high volume is selectable by an internal DIP-switch.

### Single Circuit Sound Modules

Part Number	Type	Voltage	Current Use	Design Life	Volume	Price
781-500-310	Single Circuit	120V AC	33mA	20k hours (average, no vibration, continuous operation)	98/103 dB (volume adjusted by dip switch)	<del>\$71</del>
781-500-313	Single Circuit	240V AC	33mA			<del>\$73</del>
781-500-404	Single Circuit	12V AC/DC	12mA			<del>\$73</del>
781-500-405	Single Circuit	24V AC/DC	25mA			<del>\$71</del>

\*Gray denotes special order

Environmental ratings: UL Type 4 / 4X / 13 and IP65  
Voltage tolerances: ± 10%

### Dual Circuit Sound Modules

Part Number	Type	Voltage	Current Use	Design Life	Volume	Price
782-500-310	Dual Circuit	120V AC	33mA	20k hours (average, no vibration, continuous operation)	98/103 dB (volume adjusted by dip switch)	<del>\$76</del>
782-500-313	Dual Circuit	240V AC	33mA			<del>\$78</del>
782-500-404	Dual Circuit	12V AC/DC	12mA			<del>\$78</del>
782-500-405	Dual Circuit	24V AC/DC	25mA			<del>\$76</del>

\*Gray denotes special order

Environmental ratings: UL Type 4 / 4X / 13 and IP65  
Voltage tolerances: ± 10%

## 3 Lamp Options

### Incandescent Bulbs



### Incandescent Bulbs

Part Number	Lens Color	Voltage	Light Output	Current Use	Lamp Life	Price
890-010-904	CLEAR	12V AC/DC	6.3 Lumens	208mA	8000 hours	<del>\$3</del>
890-010-905	CLEAR	24V AC/DC	31.4 Lumens	271mA	7000 hours	<del>\$3</del>
890-010-910	CLEAR	120V AC	37.7 Lumens	58mA	3000 hours	<del>\$3</del>
890-010-913	CLEAR	240V AC	6.2 Lumens	23mA	1600 hours	<del>\$3</del>

### LED Bulbs



### LED Bulbs

Part Number	Lens Color	Voltage	Light Output	Current Use	Lamp Life	Price	
893-001-404	AMBER	12V AC/DC	160-320 mcd	47mA	100k hours (average, no vibration, continuous operation)	<del>\$64</del>	
893-001-405	AMBER	24V AC/DC	160-320 mcd	28mA		<del>\$58</del>	
893-001-310	AMBER	120V AC	160-320 mcd	11mA		<del>\$58</del>	
893-001-313	AMBER	240V AC	160-320 mcd	11mA	100k hours (average, no vibration, continuous operation)	<del>\$64</del>	
893-002-404	RED	12V AC/DC	100-200 mcd	47mA		<del>\$64</del>	
893-002-405	RED	24V AC/DC	100-200 mcd	28mA		<del>\$58</del>	
893-002-310	RED	120V AC	100-200 mcd	11mA	100k hours (average, no vibration, continuous operation)	<del>\$58</del>	
893-002-313	RED	240V AC	100-200 mcd	11mA		<del>\$64</del>	
893-004-404	CLEAR	12V AC/DC	680 mcd	47mA		100k hours (average, no vibration, continuous operation)	<del>\$64</del>
893-004-405	CLEAR	24V AC/DC	680 mcd	28mA	<del>\$58</del>		
893-004-310	CLEAR	120V AC	680 mcd	11mA	<del>\$58</del>		
893-004-313	CLEAR	240V AC	680 mcd	11mA	100k hours (average, no vibration, continuous operation)	<del>\$64</del>	
893-005-404	BLUE	12V AC/DC	180-210 mcd	47mA		100k hours (average, no vibration, continuous operation)	<del>\$64</del>
893-005-405	BLUE	24V AC/DC	180-210 mcd	28mA			<del>\$58</del>
893-005-310	BLUE	120V AC	180-210 mcd	11mA	<del>\$58</del>		
893-005-313	BLUE	240V AC	180-210 mcd	11mA	100k hours (average, no vibration, continuous operation)	<del>\$64</del>	
893-006-404	GREEN	12V AC/DC	725-950 mcd	47mA		100k hours (average, no vibration, continuous operation)	<del>\$64</del>
893-006-405	GREEN	24V AC/DC	725-950 mcd	28mA			<del>\$58</del>
893-006-310	GREEN	120V AC	725-950 mcd	11mA	<del>\$58</del>		
893-006-313	GREEN	240V AC	725-950 mcd	11mA	100k hours (average, no vibration, continuous operation)	<del>\$64</del>	
893-007-404	YELLOW	12V AC/DC	160-320 mcd	47mA		100k hours (average, no vibration, continuous operation)	<del>\$64</del>
893-007-405	YELLOW	24V AC/DC	160-320 mcd	28mA			<del>\$58</del>
893-007-310	YELLOW	120V AC	160-320 mcd	11mA	<del>\$58</del>		
893-007-313	YELLOW	240V AC	160-320 mcd	11mA	100k hours (average, no vibration, continuous operation)	<del>\$64</del>	

\*Gray denotes special order (typical 2-10 day lead time - call for details)



**FREE Ground Shipping!\***  
for online orders over \$500

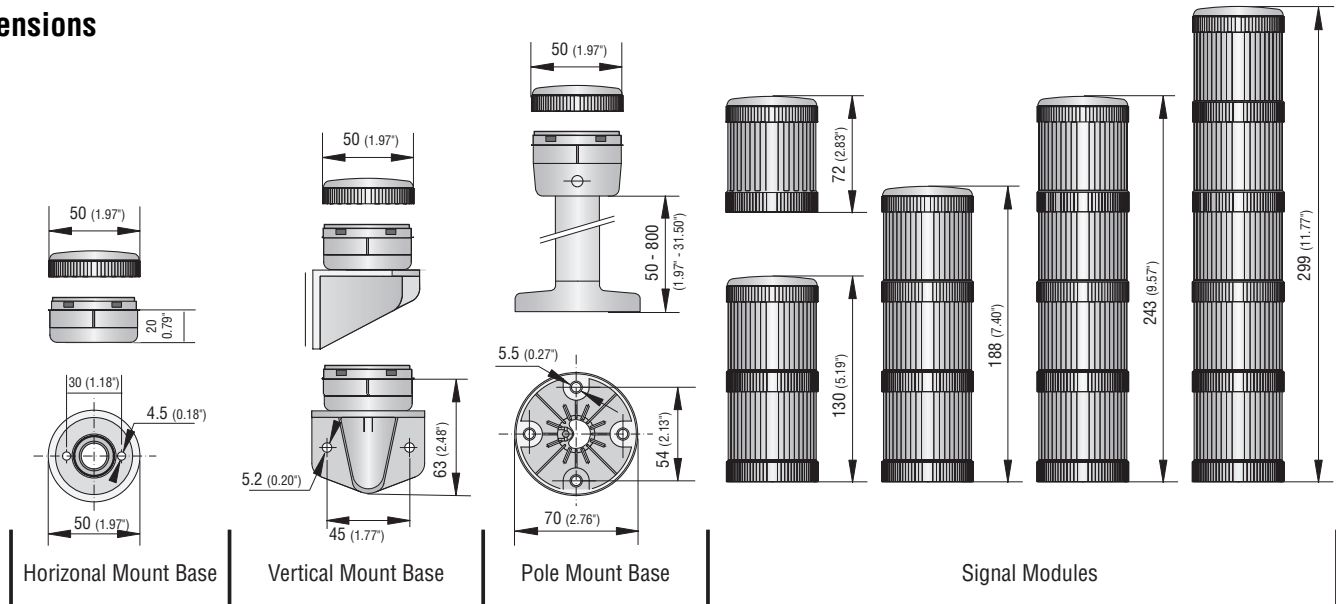


### Accessories



Part Number	Description	Price
698-800-001	Replacement Gasket, Surface Mount, Qty 5	\$4
698-800-002	Replacement Gasket, Pole Mount Base, Qty 5	\$4
698-800-000	Replacement Gasket, Vertical Base, Qty 5	\$4
698-800-003	Replacement O-Ring, Modules & Bases & Caps, Qty 5	\$4
698-803-003	Replacement Cap, BLACK	\$3.50
700-000-900	Locking Set Screws, Qty 5	\$4
WTL-BULBPL	Incandescent Bulb Puller	\$4

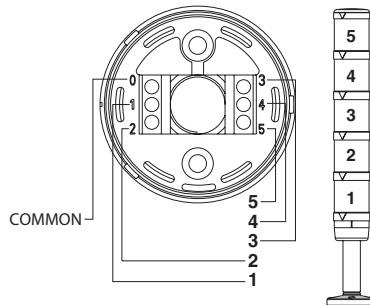
### Dimensions



### Wiring

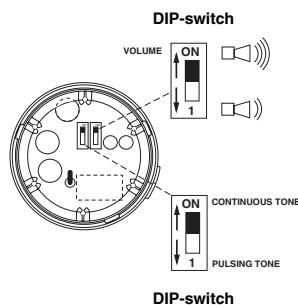


#### Maximum System

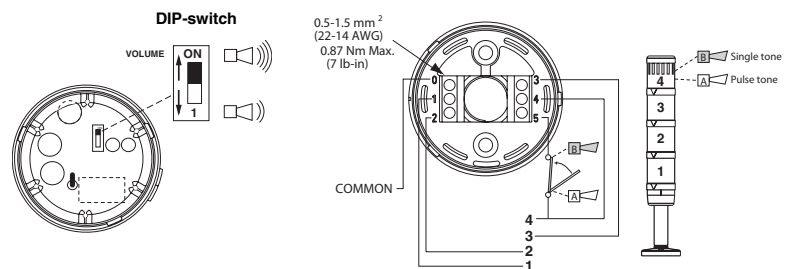


**Note:**  
You can mount up to 5 light modules, or 4 light modules and a single-tone sound module, or 3 light modules and a dual-tone sound module per base.

#### System with Single Circuit Sound Module



#### System with Dual Circuit Sound Module



**Note:**  
Customer-supplied external contact closure switches between steady tone and pulsing tone.