

CN-25 ~ CN-35 A.C. Contactors

1. Object :

Provide technical data of subject product for applications.

2. Scope :

CN-25 , CN-35

3. Conformity to Standards :

IEC 60947-4-1 IEC 60947-5-1 JEM 1038 CNS C4084 UL 508

4. Performance, Specification and Dimensions :

4.1. Pole Characteristics : (I)

Catalogue Number	CN-25	CN-35
Contact Configuration	3A1a1b	
Rated Making Capacity (A)	10×Ie	
Rated Breaking Capacity (A)	8×Ie	
Operational Frequency (ops/hr)	1200	
Mechanical Durability (million ops)	5	
Electrical Durability AC3 (million ops)	1	
Weight (Kg)	0.8	

Note : **Ie** = rated operational current.

Sub-edition	No. of Change	Reason of Revision	Date	Approved by	Checked by	Revised by	Approved by	Checked by	Prepared by
2									
1									
0	4	Modify of capacity							
<input type="checkbox"/>	<input type="checkbox"/>								
1	1								

CN-25 ~ CN-35 A.C. Contactors

4.2. Pole Characteristics : (II)

Catalogue Number			CN-25			CN-35		
Rated Insulation Voltage (Ui) IEC/UL (V)			1000/600			1000/600		
Rated Operational Voltage (Ue) IEC/UL (V)			690/600			690/600		
Thermal Current (Ith) IEC			50A			60A		
Thermal Current (Ith) UL			50A			60A		
			A	KW	HP	A	KW	HP
Rated Power Capacities AC3	Single phase	110V	-	-	-	-	-	-
		220V	-	-	-	-	-	-
CNS C4084 JEM 1038	Three phase	220V	30	7.5	10	42	11	15
		380V	30	15	20	40	20	27
		440V	30	15	20	40	22	30
		550V	25	15	20	35	22	30
Rated Power Capacities AC3 IEC 60947-4-1	Single phase	110V	25.5	1.5	2	37	2.2	3
		220V	26	3	4	33	4	5.5
	Three phase	220/230V	30	7.5	10	42	11	15
		380/400V	30	15	20	40	20	27
		415V	30	15	20	40	22	30
		440V	30	15	20	40	22	30
		500V	25	15	20	35	22	30
		660/690V	18	15	20	26	22	30
Rated Power Capacities AC3 UL 508	Single phase	120V	3HP/34A			3HP/34A		
		230V	5HP/28A			7.5HP/40A		
	Three phase	200/208V	10HP/33A			15HP/49A		
		230V	10HP/28A			15HP/42A		
		460V	25HP/34A			30HP/40A		
		575V	30HP/32A			40HP/41A		
NEMA SIZE			1 +			2 +		

CN-25 ~ CN-35 A.C. Contactors

4.3. Control Circuit Characteristics (I) : IEC 60947-5-1 UL 508

Catalogue Number		CN-25 ~ CN-35	
Contact Configuration		1a1b	
Rated Insulation Voltage (V) (U _i) IEC/UL		690/600	
Thermal Current (I _{th}) (A)		10	
Rated Operational Current (A) IEC 60947-5-1 /UL 508	AC-15 /A600	120V	6
		240V	3
		380V	2
		480V	1.5
		500V	1.4
		600V	1.2
	DC-13 /Q300	125V	0.55
		240V	0.27

Note : 1.AC-15 : Control of a.c. electromagnetic loads.

2.DC-13 : Control of d.c. electromagnetic loads.

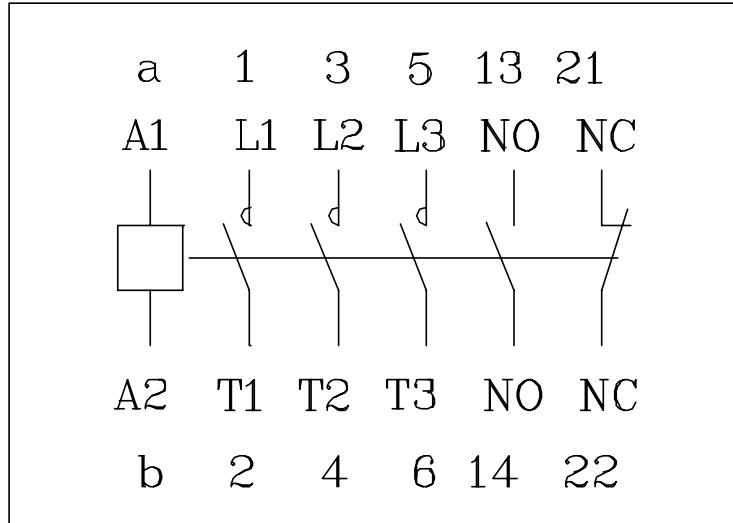
4.4. Control Circuit Characteristics (II) :

Catalogue Number		CN-25 ~ CN-35		
Control Source		AC	AC/DC	
Rated Control Supply Voltage (U _s)		22-550V/50Hz 24-575V/60Hz	110V 220V	
Pick-up Voltage (V)		Max 75% U _s	Max 75% U _s	
Power Consumption	Inrush	VA/Cos ψ	Max 215/0.75	Max 240/0.75
	Sealed	VA/Cos ψ	Max 27/0.3	Max 6/0.3
	Power Dissipated	W	Max 6	Max 3

Note : 1.U_s : Rated control supply voltage.

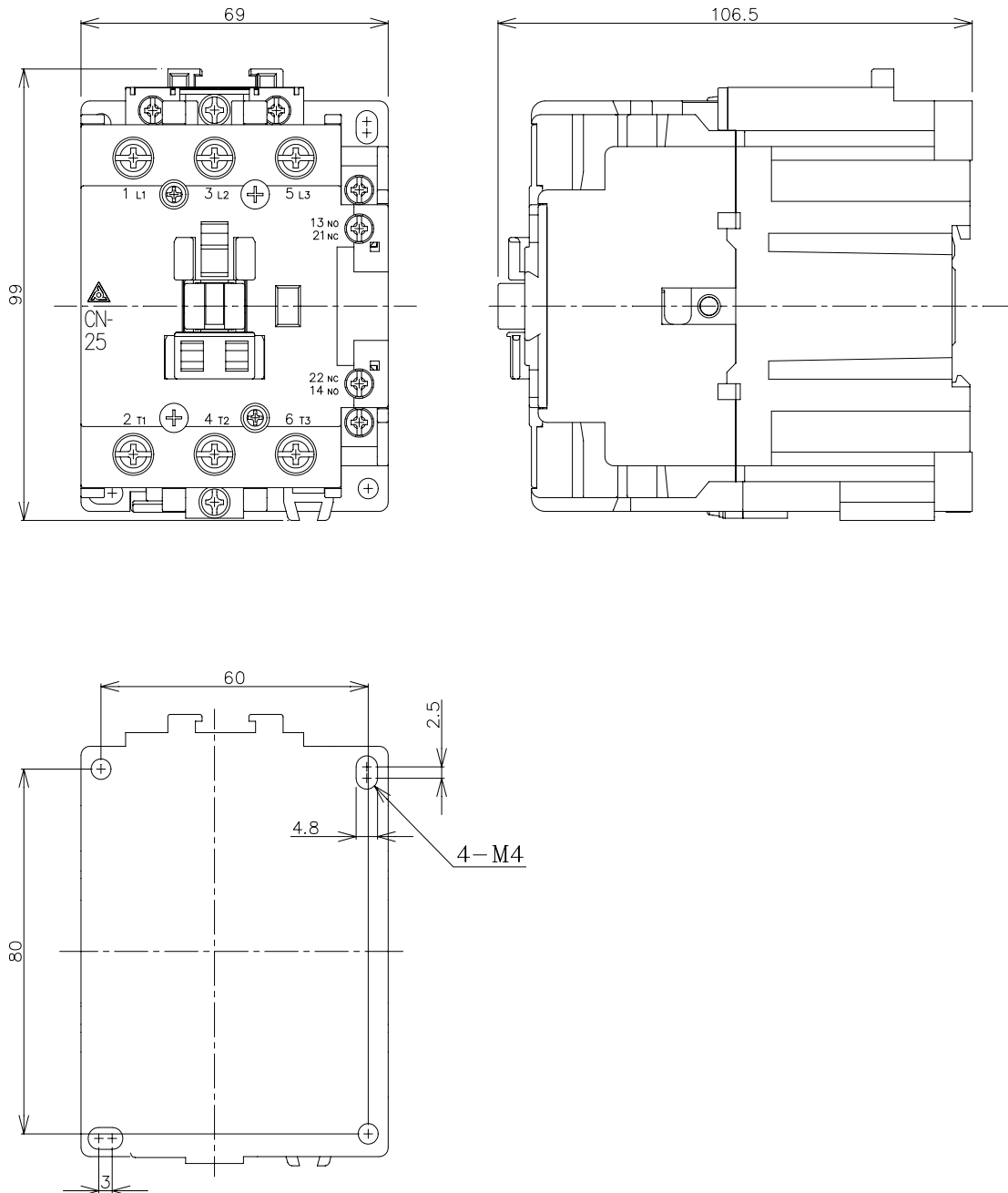
CN-25 ~ CN-35 A.C. Contactors

4.5. Terminal markings :



CN-25 ~ CN-35 A.C. Contactors

4.6. Overall Dimensions : (mm)



1st Edition : 11 - 01 - 95

Revision : 04 - 19 - 00

Taian Technical Data Sheet

Doc. No. : FTS-D1151

Edition : 04

CN-25 ~ CN-35 A.C. Contactors

Page : 6 - 6