

## CN-9 ~ CN-16 A.C. Contactors

## 1. Object:

Provide technical data of subject product for applications.

## 2. Scope:

CN-9                      CN-11                      CN-16

## 3. Conformity to Standards:

IEC 60947-4-1    IEC 60947-5-1    JEM 1038    CNS C4084    UL 508

## 4. Performance, Specification and Dimensions:

## 4.1 Pole Characteristics:( )

Catalogue Number	CN-9	CN-11	CN-16
Contact Configuration	4A , 3A1a , 3A1b , 2A2B , 2A2b		
Rated Making Capacity (A)	10xIe		
Rated Breaking Capacity (A)	8xIe		
Operating Rate (ops/hr)	1200		
Electrical Durability (million ops)	1		
Mechanical Durability (million ops)	5		
Weight (Kg)	0.3		

Note: Ie: rated operational current.

2							Approved by	Checked by	Prepared by
1									
0		Promote of capacity							
Sub-edition	No. of Change	Reason of Revision			Date	Approved by	Checked by	Revised by	

## CN-9 ~ CN-16 A.C. Contactors

## 4.2 Pole Characteristics:( )

Catalogue Number			CN-9		CN-11		CN-16	
Rated Insulation Voltage(Ui) IEC/UL (V)			660/600		660/600		660/600	
Rated Operational Voltage(Ue) IEC/UL(V)			660/600		660/600		660/600	
Thermal Current (Ith) IEC A			25		25		25	
Thermal Current (Ith) UL A			24		24		32	
			KW	A	KW	A	KW	A
Rated Power Capacities AC3 IEC 60947-4-1	Single Phase	110V	0.55	10.5	0.55	10.5	0.75	13.5
		220V	1.1	10.5	1.1	10.5	1.5	14
	Three Phase	220V	2.5	11.5	3	12	4	16
		380V	4	11	5.5	12	7.5	16
		415V	4	10	5.5	11	7.5	15
		440V	4	9	5.5	11	7.5	15
		500V	4	8	5.5	9	7.5	13
660V	4	6	5.5	7	7.5	10		
Rated Power Capacities AC3 CNS C4084 JEM 1038	Single Phase	110V	0.55	10.5	0.55	10.5	0.75	13.5
		220V	1.1	10.5	1.1	10.5	1.5	14
	Three Phase	220V	2.5	11.5	3	12	4	16
		380V	4	11	5.5	12	7.5	16
		440V	4	9	5.5	11	7.5	15
		550V	4	8	5.5	9	7.5	13
Rated Power Capacities AC 3 UL 508	Single Phase	120V	0.75HP/13.8A		1HP/16A		1.5HP/20A	
		230V	2HP/12A		2HP/12A		3HP/17A	
	Three Phase	200/208V	3HP/12A		5HP/18A		5HP/18A	
		240V	3HP/9.6A		5HP/15.2A		5HP/15.2A	
		480V	5HP/7.6A		7.5HP/11A		10HP/14A	
		575V	7.5HP/9A		10HP/11A		10HP/11A	
NEMA Class			0		0+		0+	

## CN-9 ~ CN-16 A.C. Contactors

## 4.3 Control Circuit Characteristics( ): IEC 60947-5-1 UL 508

Catalogue Number			CN-9~CN-16
Rated Insulation Voltage (V) (Ui) IEC/UL			660/600
Rated Operational Voltage (V) (Ue) IEC/UL			660/600
Thermal Current AC/DC (Ith) A			10/5
Rated Operational Current(A) IEC 60947-5-1 UL 508	AC-15 /A600	120V	6
		240V	3
		380V	1.9
		480V	1.5
		500V	1.4
		600V	1.2
	DC-13 /Q300	125V	0.55
		250V	0.27

Note: 1.AC-15:Control of a.c. electromagnetic loads.  
2.DC-13:Control of d.c. electromagnetic loads.

## 4. Control Circuit Characteristics( ):

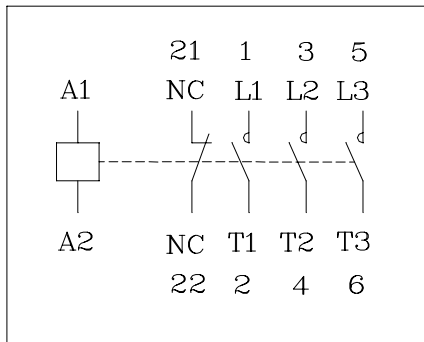
Catalogue Number			CN-9~CN-16
Operational Voltage	50Hz	V	22-550
	60Hz	V	24-575
Pick-up Voltage	50Hz/60Hz	%Us	Max 70
Power Consumption	Inrush	VA	Max 70
	Sealed	VA	Max 12
Power Dissipation		W	2-4

Note:1.Us: Rated control supply voltage.

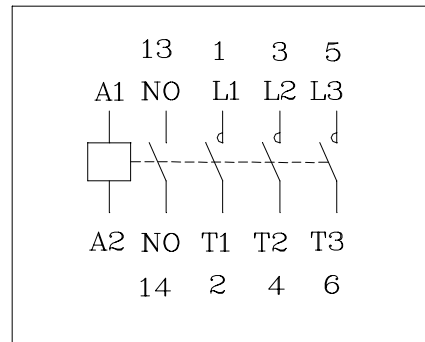
## CN-9 ~ CN-16 A.C. Contactors

### 4.5 Contact Marking

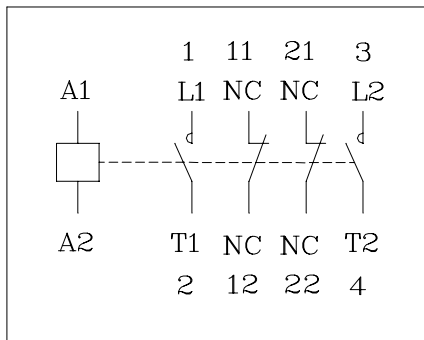
3A1b



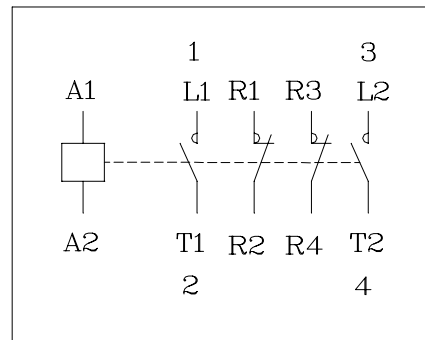
3A1a



2A2b



2A2B



## CN-9 ~ CN-16 A.C. Contactors

### 4.6 Overall Dimension

