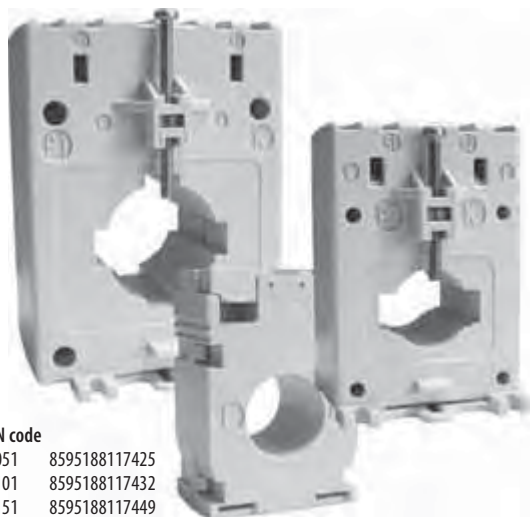


# Current transformer SR - for Monitoring current relay PRI

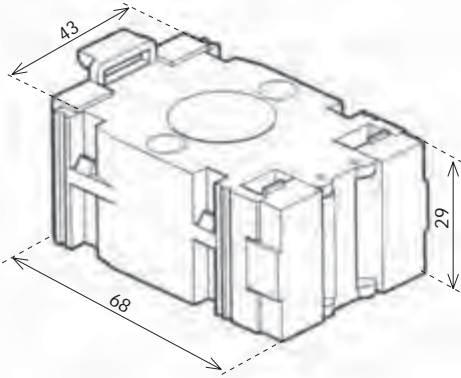


### EAN code

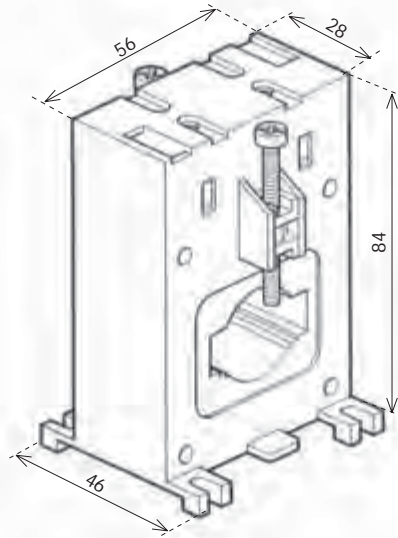
SR051	8595188117425
SR101	8595188117432
SR151	8595188117449
SR200	8595188117456
SR250	8595188117463
SR300	8595188117470
SR400	8595188117487
SR600	8595188117494

- Accessory to monitoring relay PRI series, for extension of max. controlled current max. cable 35 mm (1")
- Max. cable size:
  - solid conductor: max. 6 mm<sup>2</sup>
  - wire max. 4 mm<sup>2</sup>
- Bus-bar to max. dimension 40x10 mm (2" x 0.4")
- Frequency: 50 - 60 Hz
- Constant overload capacity: 1.2 x I<sub>n</sub>
- Output current: 0 - 5 A
- 1-phase, installable to panel or DIN rail

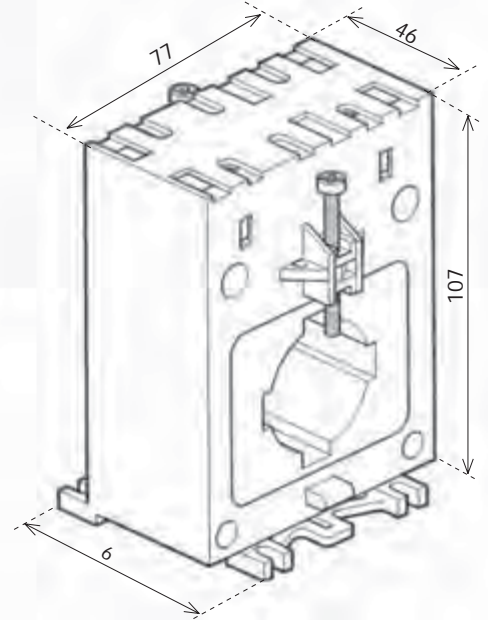
Technical parameters	SR051	SR101	SR151	SR200	SR250	SR300	SR400	SR600
Max. wire diameter:	∅ 22	∅ 22	∅ 22	∅ 23	∅ 23	∅ 35	∅ 35	∅ 35
Max. bus-bar profile:	—	—	—	30x10	30x10	40x10	40x10	40x10
Primary current (A):	50	100	150	200	250	300	400	600
	Rated capacity (VA):			Rated capacity (VA):		Rated capacity (VA):		
Accuracy class:								
0.5	—	2	3	4	6	4	8	12
1	1.25	2.5	4	7	9	8	12	15
3	1.5	3.5	5	8.5	11	12	15	15
Operating temperature:	-20 °C to +55 °C (-4 °F to 131 °F)			-20 °C to +55 °C (-4 °F to 131 °F)		-20 °C to +55 °C (-4 °F to 131 °F)		
Storage temperature:	-30 °C to +70 °C (-22 °F to +158 °F)			-30 °C to +70 °C (-22 °F to +158 °F)		-30 °C to +70 °C (-22 °F to +158 °F)		



SR051; SR101; SR151

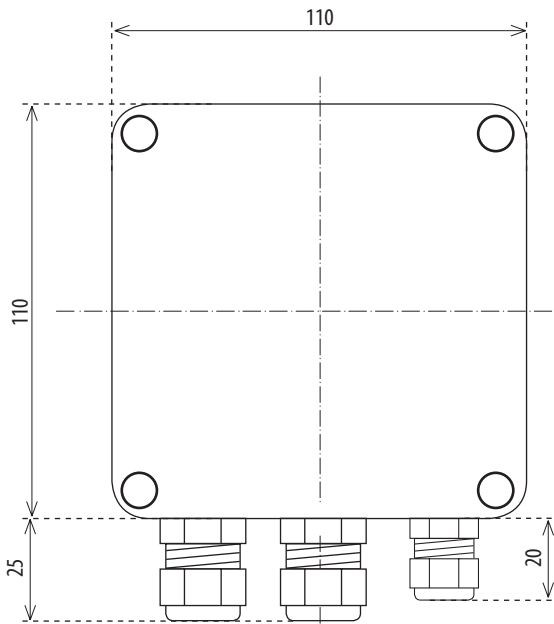


SR200; SR250



SR300; SR400; SR600

box IP66 for TEV1,2



box IP66 for TEV3

